



Technical Specifications

General

ID	: 4390
System Wattage	: 100W LED
Driver Integral	: Constant Current
Operating Voltage	: 100-300Vac
Operating Temperature	: -15°C~+50°C

Light Source

Light Source	: LUMILEDS / OSRAM
CRI (Ra)	: >70
LED Colour Temperature	: 2700K / 3000K / 4000K / 5700K

Physical

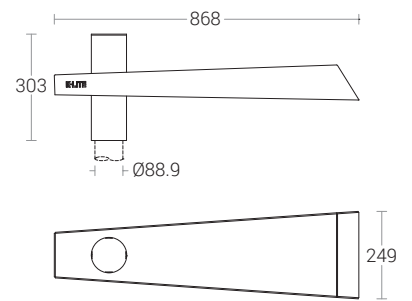
Body	: Aluminium
Diffuser	: Polycarbonate Optical Lens
Mounting	: Suitable for mounting on Ø76 / Ø88.9 / □91mm pole
Finish	: Powder coated RAL 9004 Signal black RAL 9007 Grey aluminium RAL 7016 Anthracite grey Graphite grey

Driver

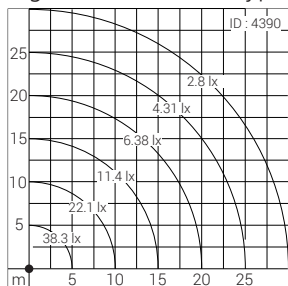
Power Supply	: Integral
Input Voltage	: 230-240Vac
Frequency	: 50-60Hz
Power Factor	: >0.95
THD	: <10%
Surge Protection	: 6KV
Efficiency	: >85%

Optical Performance

Light Distribution	: Type II / Type III / Type IV
--------------------	--------------------------------



Light Distribution - Type III



Applied Photometry : H=10m