



**Technical Specifications**

**General**

ID	: 4158
System Wattage	: 150W LED
Driver Integral	: Constant Current
Input Voltage	: 230-240Vac
Frequency	: 50-60Hz
Operating Voltage	: 100-277Vac
Operating Temperature	: -15°C~+50°C

**Physical**

Body	: Die Cast Aluminium
Diffuser	: Clear Polycarbonate
Optical Cover	: Optical Cover
Mounting	: Suitable for Ø76mm OD Pipe
Finish	: Powder Coated Traffic Grey / Black

**Light Source**

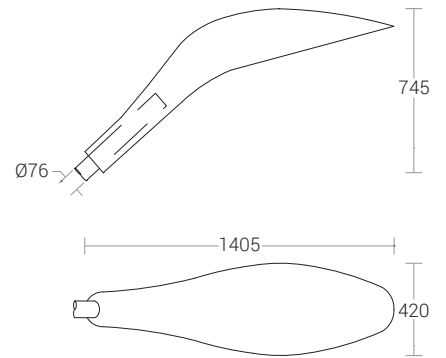
Light Source	: OSRAM / LUMILED
LED Lumens	: 22500 lm
CRI (Ra)	: >80
LED Colour Temperature	: 3000K / 4000K / 5700K

**Driver**

Power Supply	: Integral
Power Factor	: >0.95
THD	: <10%
Surge Protection	: 6KV
Efficiency	: >88%

**Optical Performance**

Colour Temperature	: 3000K
Luminous flux	: 18384 lm
Optical Distribution	: Type III



**Photometric Data**

