

# K-LITE



CAST IRON & AREA LIGHTING POLES

Cast Iron Lighting Poles have become a permanent feature of modern architecture as they skillfully enhance the appearance of any surroundings giving its own unique identity. Poles can stylishly convey the identity of any landscape. Our poles can be designed to suit single or multi arms brackets in order to install one or more light sources.

### Product Description

- Pole design parameters vary depending on the type of bracket and loading factor.
- All pole sections are welded using special v groove technique by certified welders using high end MIG welding processes.
- Cast Iron made of ASTM A48 Class 25
- Built-in control box with cast aluminium service door and safety rope.
- Cast Iron door is contoured to the shape of the pole.
- The control gear tray is prewired with MCB, terminal connectors for loop-in / loop-out arrangement.
- The foundation bolt holes in the base plate are designed to be elongated for fine adjustments / alignment of the pole during installation.
- Base plate made of steel grade E250 & foundation bolt of grade 4.6
- **CE** - Conformity mark

### Product Benefits

- Quick installation and low assembly costs.
- A wide range of Pole heights and bracket options to meet various lighting requirements.
- Functionally versatile, strong and stable with sound engineering.
- Innovative Design options to provide Visual integration with the environment.
- Customised for your delight : Creating the entire product portfolio - Right from concept to completion, merging the best technology and practices in lighting.

### Area of Application

Street lighting in main road / secondary roads, Illuminating pathways in parks, Gardens, Resorts, Expressways, Private driveways, Residential Area Lighting, Boulevards, Shopping centres, Building perimeters and Public places.

### Installation

Surface mounted with base plate and fitted on a pre formed foundation.

### Available Finish

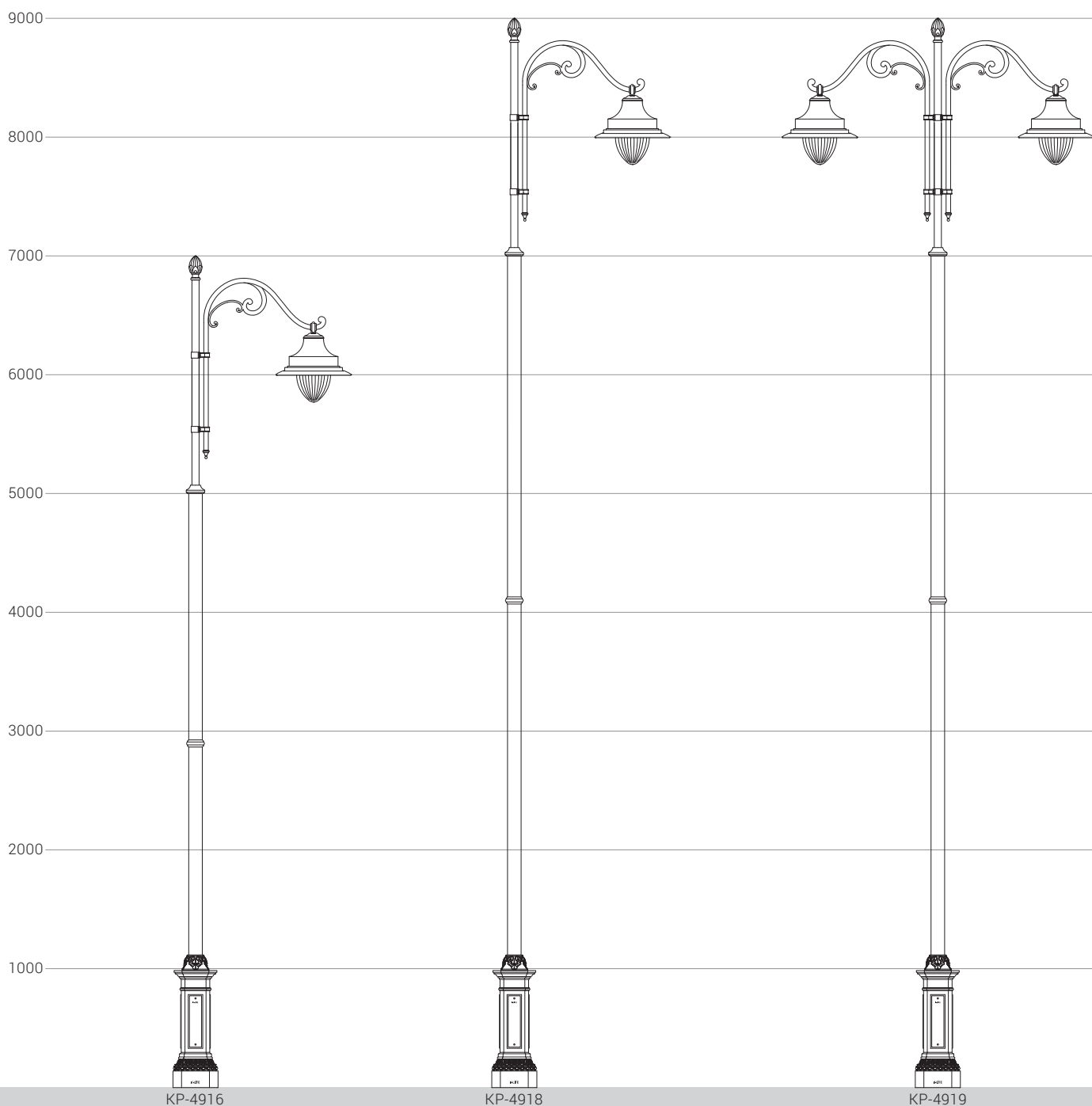
Coated with zinc rich primer and finished using environmentally stable polyurethane based paint / Pure polyester powder coated of desired colour.

- Graphite grey
- Anthracite grey
- Black

# LATINA

Series

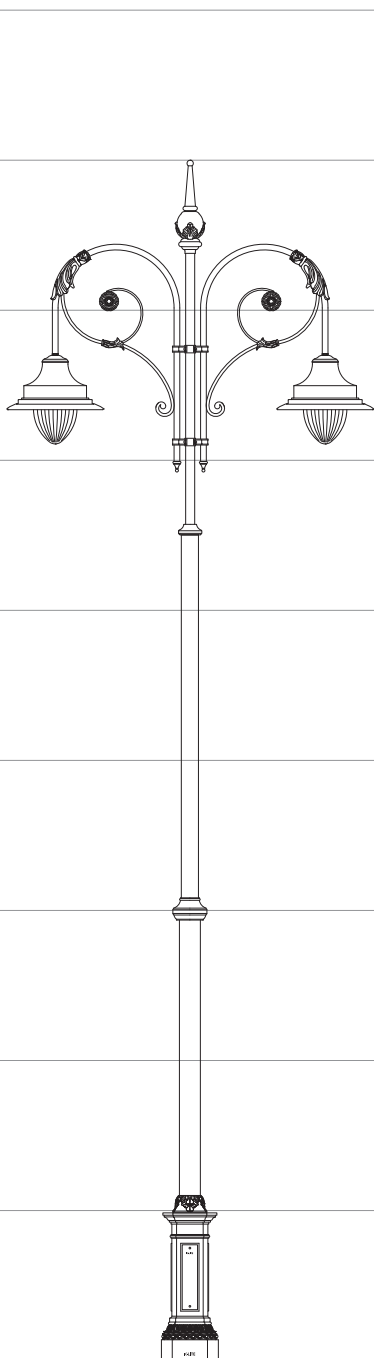
ID	Name	Pole Size	Base Size	Arm	Height	Mounting
KP-4916	Elegance Orna Latina	-	Ø114.3	SA	7000	KP-51.3
KP-4917	Elegance Orna Latina	-	Ø114.3	DA	KP-51.3	
KP-4918	Elegance Orna Latina	Ø114.3	Ø139.7	SA	9000	KP-51.5
KP-4919	Elegance Orna Latina	Ø114.3	Ø139.7	DA	9000	KP-51.5



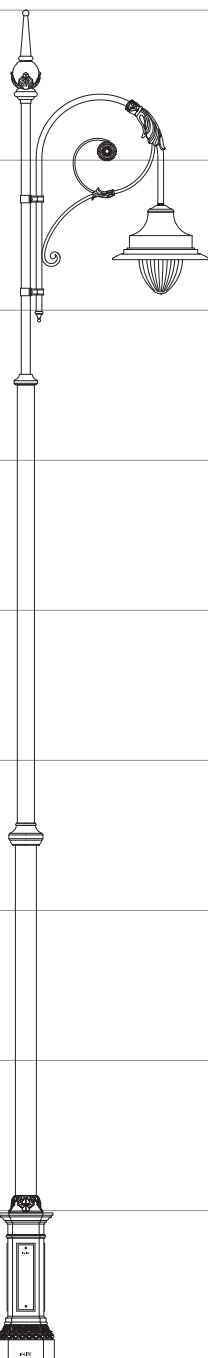
# LATINA

Series

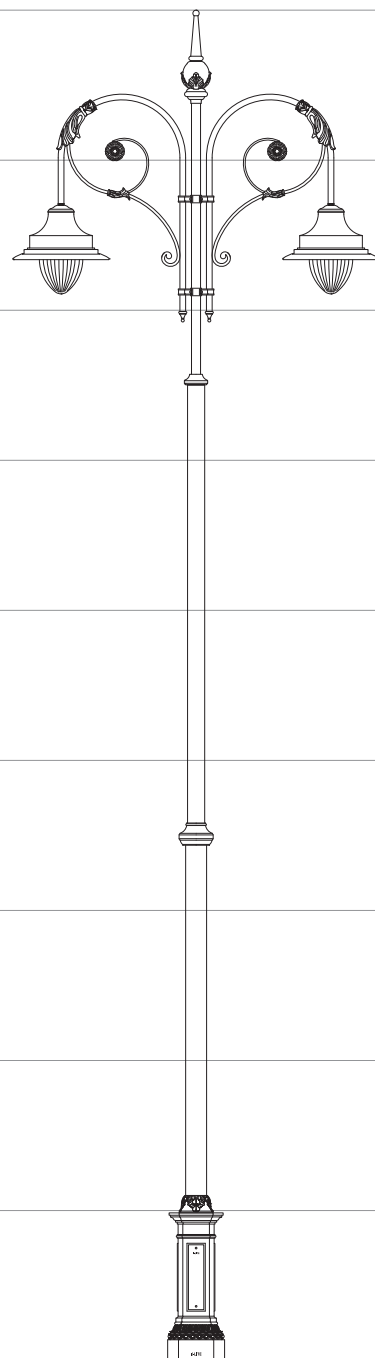
ID	Name	Pole Size	Base Size	Arm	Height	Mounting
KP-4920	Pelican Orna Latina	Ø114.3	Ø139.7	SA	8000	KP-51.4
KP-4921	Pelican Orna Latina	Ø114.3	Ø139.7	DA	8000	KP-51.4
KP-4922	Pelican Orna Latina	Ø114.3	Ø139.7	SA	9000	KP-51.5
KP-4923	Pelican Orna Latina	Ø114.3	Ø139.7	DA	9000	KP-51.5



KP-4921



KP-4922



KP-4923