

MICROLED are compact IP67 LED fittings suitable for down light, Wall recessed and walkover for both indoor & outdoor applications. Small dimension with flush mounting installation. It is equipped with a screwless round front ring in STAINLESS STEEL with Symmetrical. These fixtures are perfect for creating very defined effects of accent light. On request, these luminaires are also available in Red, Green, Blue and Amber.

Product Description

- Luminaire body and screwless front ring made from solid billet of 316 grade stainless steel.
- Silicone seal gasket ensures IP67 rating.
- Clear / Prismatic / Opal toughened glass of 4mm thickness.
- Polycarbonate optical lens.
- Luminaire hard wired with 2 x 0.5mm² cable of 0.5 metre length.
- Supplied with mounting sleeve for preparing recessed opening in ground or wall.
- Luminaire operating voltage is 24Vdc. Non-Integral luminaires supplied with suitable external dc to dc converter, to be installed with suitable IP Junction box.
- Low Voltage at 24Vdc assures safety.
- Ordering guide : KL-4085-CCT (Colour Temperature)
- Available CCT : 2700K, 3000K, 4000K, 5700K.
- Options : Red / Green / Blue / Amber (On Request).



Product Benefits

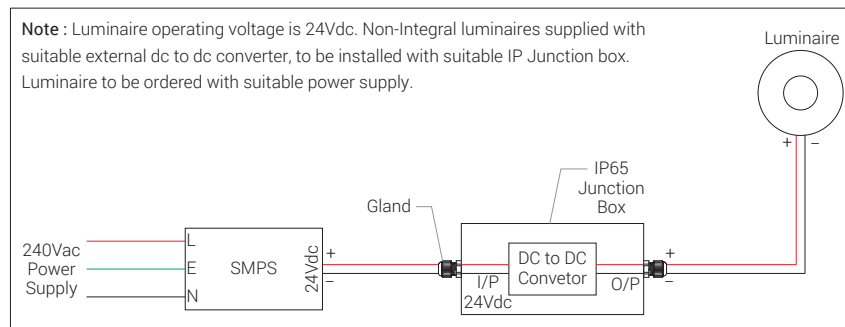
- High luminous efficiency at reduced wattage.
- Compact luminaire provides distinctive lighting effects for wall architecture & accent lighting.
- Sustainable LED technology offers durability and optimal light output with low power consumption.

Area of Application

Walk ways, Facades, Landscapes, Architectural facade elements.

Accessory

- Supplied with IP67 rated connector for a secure connection to the network.
- Polypropylene mounting sleeve for easy installation.





OPEN SOURCE



Technical Specifications

General

ID : 4085
 System Wattage : 1W LED
 Driver Non-Integral : Constant Voltage
 Operating Voltage : 24Vdc
 Operating Temperature : -15°C~+50°C

Light Source

Light Source : NICHIA
 CRI (Ra) : ≥80
 LED Colour Temperature : 2700K / 3000K / 4000K / 5700K

Physical

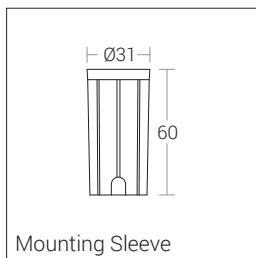
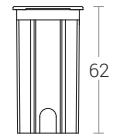
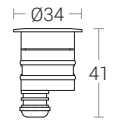
Body & Front Ring : 316 Grade Stainless Steel
 Diffuser : Clear / Prismatic / Opal Toughened Glass
 Mounting Sleeve : Polypropylene Black
 Mounting : Wall / Floor - Recess

Driver

Power Supply : Non Integral

Optical Performance

Beam Angle : 40°



Mounting Sleeve

Note : It is our constant endeavor to upgrade the performance of our products. For the latest technical information, IES files and product updates please refer to the website at www.klite.in

MICROLED are compact IP67 LED fittings suitable for down light, Wall recessed and walkover for both indoor & outdoor applications. Small dimension with flush mounting installation. It is equipped with a screwless round front ring in STAINLESS STEEL with Symmetrical. These fixtures are perfect for creating very defined effects of accent light. On request, these luminaires are also available in Red, Green, Blue and Amber.

Product Description

- Luminaire body and screwless front ring made from solid billet of 316 grade stainless steel.
- Silicone seal gasket ensures IP67 rating.
- Clear / Prismatic / Opal toughened glass of 4mm thickness.
- Polycarbonate optical lens.
- Luminaire hard wired with 2 x 0.5mm² cable of 0.5 metre length.
- Supplied with mounting sleeve for preparing recessed opening in ground or wall.
- Luminaire to be ordered with suitable power supply.
- Prewired with LED driver and suitable for operating on 240V, 50Hz single phase ac supply.
- Ordering guide : KL-4085-CCT (Colour Temperature)
- Available CCT : 2700K, 3000K, 4000K, 5700K.
- Options : Red / Green / Blue / Amber (On Request).



Product Benefits

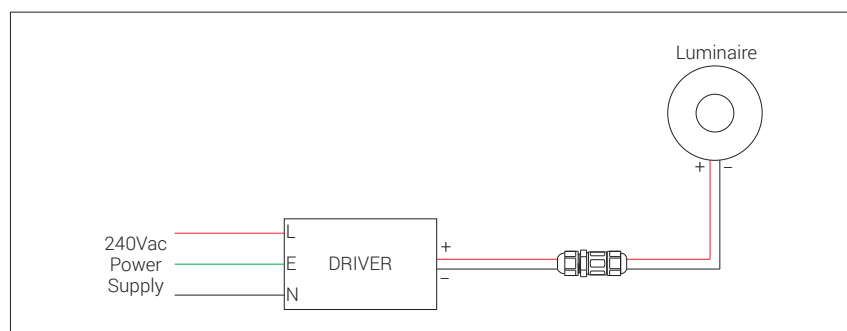
- High luminous efficiency at reduced wattage.
- Compact luminaire provides distinctive lighting effects for wall architecture & accent lighting.
- Sustainable LED technology offers durability and optimal light output with low power consumption.

Area of Application

Walk ways, Facades, Landscapes, Architectural facade elements.

Accessory

- Supplied with IP67 rated connector for a secure connection to the network.
- Polypropylene mounting sleeve for easy installation.





OPEN SOURCE



Technical Specifications

General

ID : 4085
 System Wattage : 1W LED
 Driver Non-Integral : Constant Current
 Operating Voltage : 150-270Vac
 Operating Temperature : -15°C~+50°C

Light Source

Light Source : NICHIA
 CRI (Ra) : ≥80
 LED Colour Temperature : 2700K / 3000K / 4000K / 5700K

Physical

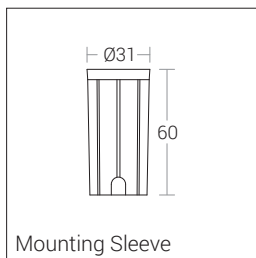
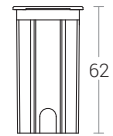
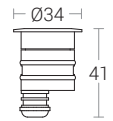
Body & Front Ring : 316 Grade Stainless Steel
 Diffuser : Clear / Prismatic / Opal Toughened Glass
 Mounting Sleeve : Polypropylene Black
 Mounting : Wall / Floor - Recess

Driver

Power Supply : Non Integral
 Input Voltage : 230-240Vac
 Frequency : 50-60 Hz

Optical Performance

Beam Angle : 40°



Note : It is our constant endeavor to upgrade the performance of our products. For the latest technical information, IES files and product updates please refer to the website at www.klite.in

MINILED are compact IP67 LED fittings suitable for down light, Wall recessed and walkover for both indoor & outdoor applications. Small dimension with flush mounting installation. It is equipped with a screwless round front ring in STAINLESS STEEL with Symmetrical. These fixtures are perfect for creating very defined effects of accent light. On request, these luminaires are also available in Red, Green, Blue and Amber.

Product Description

- Luminaire body and screwless front ring made from solid billet of 316 grade stainless steel.
- Silicone seal gasket ensures IP67 rating.
- Clear / Prismatic / Opal toughened glass of 4mm thickness.
- Clear polycarbonate optical lens.
- Luminaire hard wired with 2 x 0.5mm² cable of 0.5 metre length.
- Supplied with mounting sleeve for preparing recessed opening in ground or wall.
- Luminaire operating voltage is 24Vdc. Non-Integral luminaires supplied with suitable external dc to dc converter, to be installed with suitable IP Junction box.
- Low Voltage at 24Vdc assures safety.
- Ordering guide : KL-4086-CCT (Colour Temperature)
- Available CCT : 2700K, 3000K, 4000K, 5700K.
- Options : Red / Green / Blue / Amber (On Request).



Product Benefits

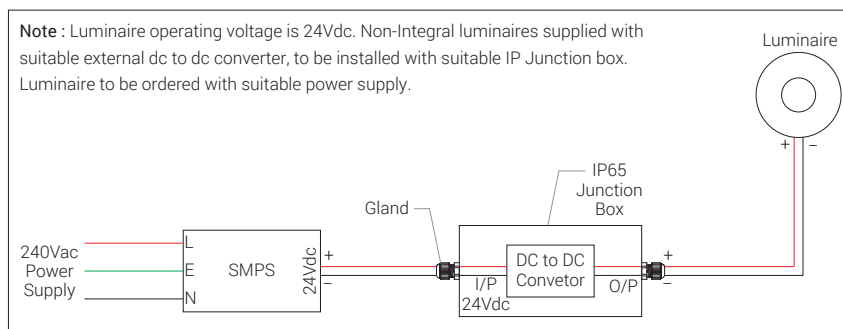
- High luminous efficiency at reduced wattage.
- Compact luminaire provides distinctive lighting effects for wall architecture & accent lighting.
- Sustainable LED technology offers durability and optimal light output with low power consumption.

Area of Application

Walk ways, Facades, Landscapes, Architectural facade elements.

Accessory

- Supplied with IP67 rated connector for a secure connection to the network.
- Polypropylene mounting sleeve for easy installation.





OPEN SOURCE



Technical Specifications

General

ID : 4086
 System Wattage : 3W LED
 Driver Non-Integral : Constant Voltage
 Operating Voltage : 24Vdc
 Operating Temperature : -15°C~+50°C

Light Source

Light Source : NICHIA
 CRI (Ra) : ≥80
 LED Colour Temperature : 2700K / 3000K / 4000K / 5700K

Physical

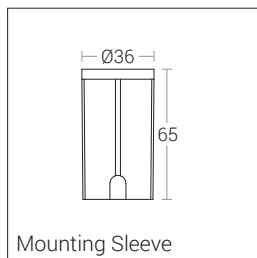
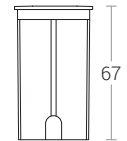
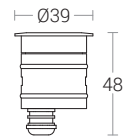
Body & Front Ring : 316 Grade Stainless Steel
 Diffuser : Clear / Prismatic / Opal Toughened Glass
 Mounting Sleeve : Polypropylene Black
 Mounting : Wall / Floor - Recess

Driver

Power Supply : Non Integral

Optical Performance

Beam Angle : 8°/12°/24°/40°/60°/40°x11°



Note : It is our constant endeavor to upgrade the performance of our products. For the latest technical information, IES files and product updates please refer to the website at www.klite.in

MINILED are compact IP67 LED fittings suitable for down light, Wall recessed and walkover for both indoor & outdoor applications. Small dimension with flush mounting installation. It is equipped with a screwless round front ring in STAINLESS STEEL with Symmetrical. These fixtures are perfect for creating very defined effects of accent light. On request, these luminaires are also available in Red, Green, Blue and Amber.

Product Description

- Luminaire body and screwless front ring made from solid billet of 316 grade stainless steel.
- Silicone seal gasket ensures IP67 rating.
- Clear / Prismatic / Opal toughened glass of 4mm thickness.
- Clear polycarbonate optical lens.
- Luminaire hard wired with 2 x 0.5mm² cable of 0.5 metre length.
- Supplied with mounting sleeve for preparing recessed opening in ground or wall.
- Luminaire to be ordered with suitable power supply.
- Prewired with LED driver and suitable for operating on 240V, 50Hz single phase ac supply.
- Ordering guide : KL-4086-CCT (Colour Temperature)
- Available CCT : 2700K, 3000K, 4000K, 5700K.
- Options : Red / Green / Blue / Amber (On Request).



Product Benefits

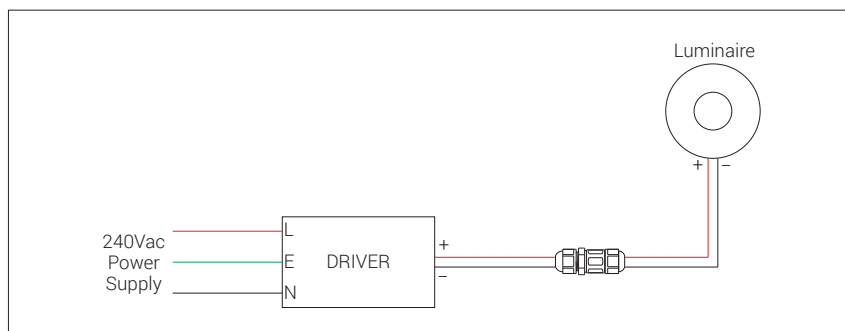
- High luminous efficiency at reduced wattage.
- Compact luminaire provides distinctive lighting effects for wall architecture & accent lighting.
- Sustainable LED technology offers durability and optimal light output with low power consumption.

Area of Application

Walk ways, Facades, Landscapes, Architectural facade elements.

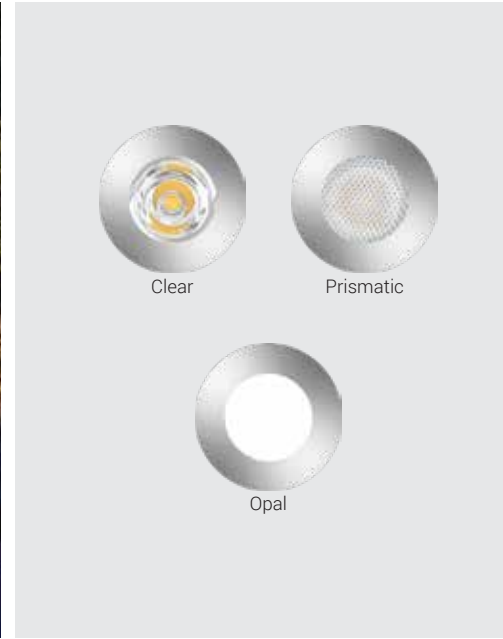
Accessory

- Supplied with IP67 rated connector for a secure connection to the network.
- Polypropylene mounting sleeve for easy installation.





OPEN SOURCE



Technical Specifications

General

ID : 4086
 System Wattage : 3W LED
 Driver Non-Integral : Constant Current
 Operating Voltage : 150-270Vac
 Operating Temperature : -15°C~+50°C

Light Source

Light Source : NICHIA
 CRI (Ra) : ≥80
 LED Colour Temperature : 2700K / 3000K / 4000K / 5700K

Physical

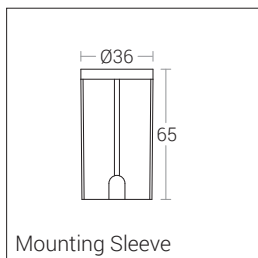
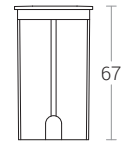
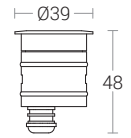
Body & Front Ring : 316 Grade Stainless Steel
 Diffuser : Clear / Prismatic / Opal Toughened Glass
 Mounting Sleeve : Polypropylene Black
 Mounting : Wall / Floor - Recess

Driver

Power Supply : Non Integral
 Input Voltage : 230-240Vac
 Frequency : 50-60 Hz

Optical Performance

Beam Angle : 8°/12°/24°/40°/60°/40°x11°



Note : It is our constant endeavor to upgrade the performance of our products. For the latest technical information, IES files and product updates please refer to the website at www.klite.in