

An elegant and efficient lantern with translucent diffuser provide a unique, glare free light distribution. Aesthetically designed sturdy construction ensures a long life against all weather condition, maintaining initial performances through the lifetime of the installation.

Product Description

- The luminaire comprises of specially contoured spun aluminium top cover.
- Lamp compartment encased in non-yellowing translucent UV stabilised acrylic diffuser
- EPDM rubber gasket.
- Turn type polycarbonate locking system for easy maintenance.
- Die cast aluminium spigot base with aluminium alloy of low copper content for effective corrosion resistance.
- Suitable for mounting on 50mm OD pipe.
- Cable entries for through-wiring of mains supply cable.
- Integral constant current power supply
- Prewired with E27 holder and suitable for operating on 240V, 50Hz single phase ac supply.



Product Benefits

- Elegance, Functionality.
- The diffuser contributes to the creation of ambiance and to visual comfort by reducing glare.
- Corrosion resistant and Maintenance free.
- Quick installation and low assembly costs.

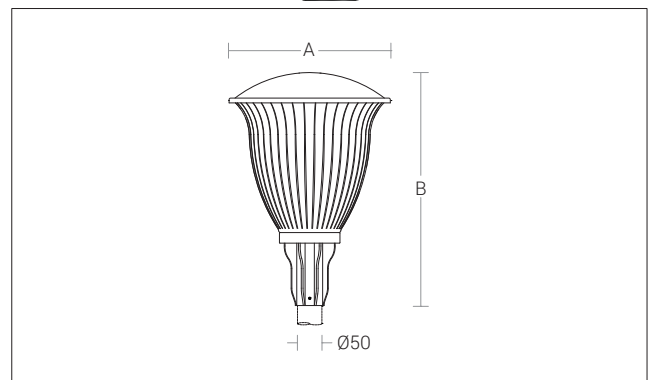
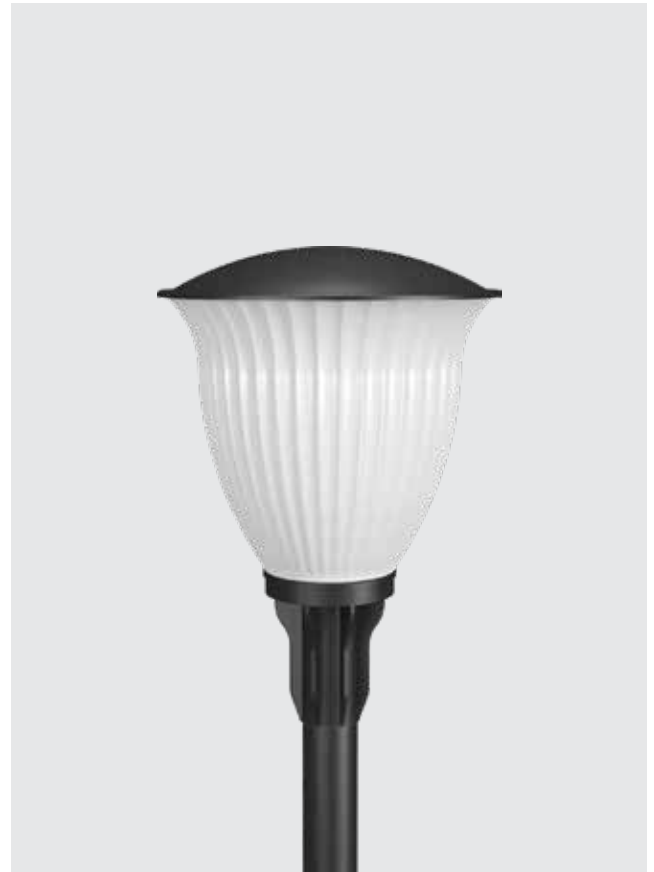
Area of Application

Illuminating parks, Gardens, commercial complex, Pathways in residential buildings & office complex.

Available Finish

Pure polyester powder coated

- Graphite grey
- Anthracite grey
- Jet black



ID	Wattage	A	B
4946	E27	Ø336	477

Max. Wattage E27 : 17W LED / 23W CFLE

An elegant and efficient lantern with translucent diffuser provide a unique, comfortable light choice with glare free light distribution. Aesthetically designed sturdy construction ensures a long life against all weather condition, maintaining initial performances through the lifetime of the installation.

Product Description

- The luminaire comprises of specially contoured spun aluminium top cover.
- Lamp compartment encased in non-yellowing translucent UV stabilised acrylic diffuser
- EPDM rubber gasket.
- Turn type polycarbonate locking system for easy maintenance.
- Die cast aluminium spigot base with aluminium alloy of low copper content for effective corrosion resistance.
- Suitable for mounting on 50mm OD pipe.
- Cable entries for through-wiring of mains supply cable.
- Integral constant current power supply
- CRI (Ra) : ≥ 80
- Prewired with LED driver and suitable for operating on 240V, 50Hz single phase ac supply.
- Ordering guide : KL-4986-CCT (Colour Temperature)
- Available CCT : 3000K, 4000K, 5700K



Product Benefits

- High luminous efficiency at reduced wattage.
- Elegance, Functionality.
- Environmental friendly, moisture proof, insect free.
- The diffuser contributes to the creation of ambiance and to visual comfort by reducing glare.
- Low maintenance cost.
- Sustainable LED technology offers durability and optimal light output with low power consumption.

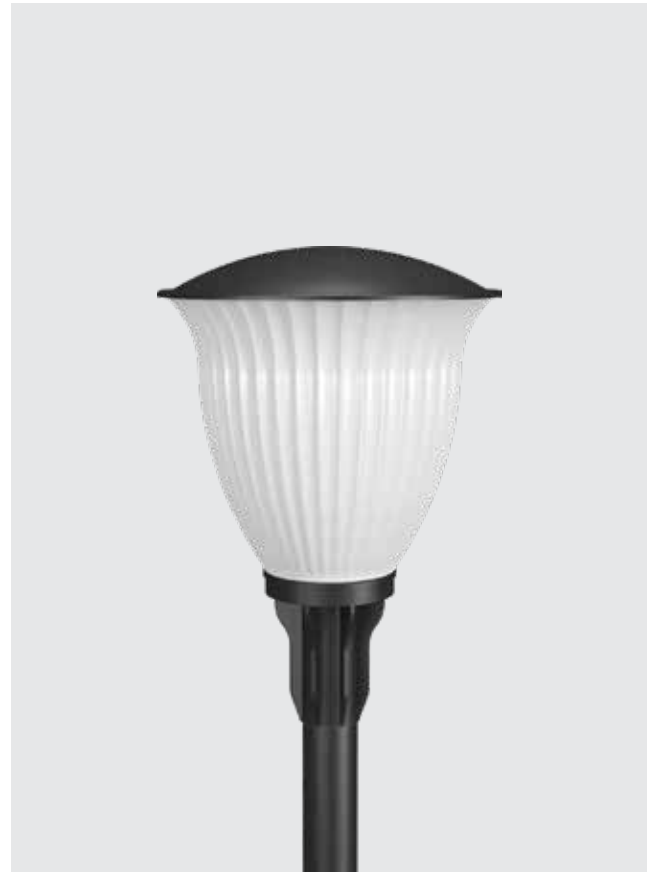
Area of Application

Illuminating parks, Gardens, commercial complex, Pathways in residential buildings & office complex.

Available Finish

Pure polyester powder coated

- Graphite grey
- Anthracite grey
- Jet black





Technical Specifications

General

ID : 4986
 System Wattage : 24W LED
 Driver Integral : Constant Current
 Input Voltage : 230-240Vac
 Frequency : 50-60Hz
 Operating Voltage : 100-277Vac
 Operating Temperature : -15°C~+50°C

Physical

Body : Spun aluminium top cover & die cast aluminium base
 Diffuser : Translucent Acrylic
 Mounting : Suitable for Ø50mm OD Pipe
 Finish : Powder Coated
 Jet black / Graphite grey
 Anthracite grey

Light Source

Light Source : NICHIA
 LED Lumens : 3600 lm
 CRI (Ra) : >80
 LED Colour Temperature : 3000K / 4000K / 5700K

Driver

Power Supply : Integral
 Power Factor : >0.90
 THD : <10%
 Surge Protection : 4KV
 Efficiency : >85%

Optical Performance

Colour Temperature : 3000K
 Luminous flux : 2868 lm
 Light Distribution : Symmetrical

