

A modern heritage post top luminaire. Aesthetically designed sturdy construction ensures a long life against all weather condition, maintaining initial performances through the lifetime of the installation.

Product Description

- The luminaire comprises of specially contoured spun aluminium top cover.
- Pressure diecast aluminium magudam attachment added for aesthetics.
- Non-yellowing UV stabilised translucent acrylic diffuser.
- The lamp compartment encased inside the top portion and the bottom portion attached to a mounting base.
- Suitable for mounting on 50mm OD pipe.
- Cable entries for through-wiring of mains supply cable
- Prewired with E27 holder and suitable for operating on 240V, 50Hz single phase ac supply.



Product Benefits

- Elegance, Functionality.
- The diffuser contributes to the creation of ambiance and to visual comfort by reducing glare.
- Low maintenance cost.
- Dark sky compliant protects pedestrians from glare, in addition to preventing spill light above the horizontal plane.

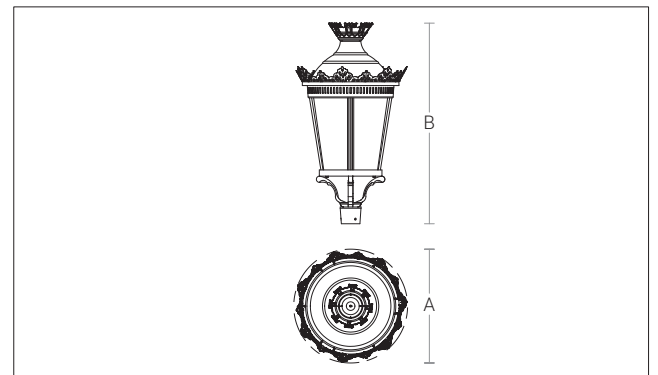
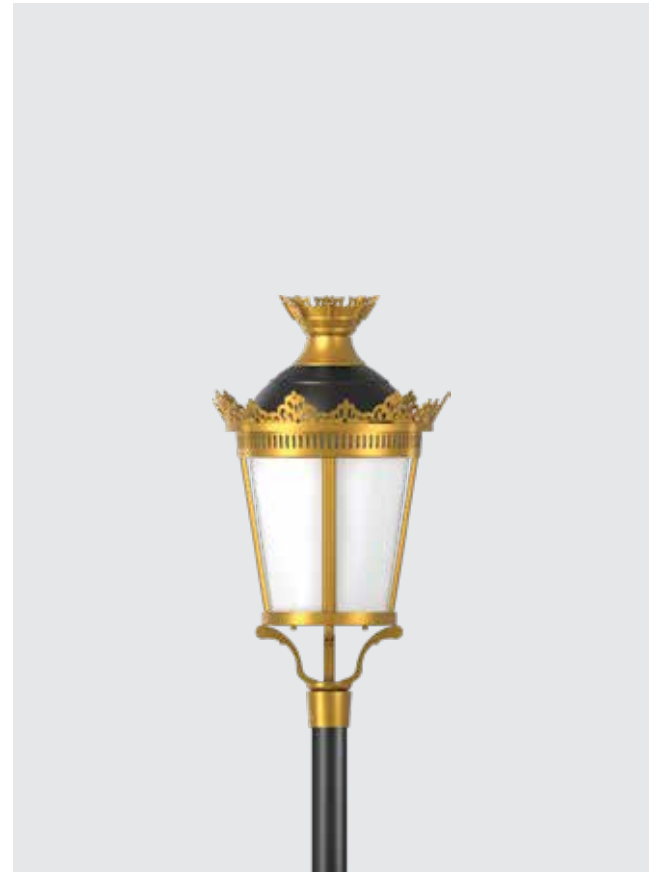
Area of Application

Illuminating parks, Gardens, commercial complex, Pathways in residential buildings, Walkways, Streetscapes & office complex.

Available Finish

Pure polyester powder coated

- Graphite grey & Gold
- Anthracite grey & Gold
- Jet black & Gold



ID	Wattage	A	B
4920	E27-D	Ø367	647

Max. Wattage E27 : 30W LED / 45W CFLE

A modern heritage post top luminaire upgraded with high performance light engines. Aesthetically designed sturdy construction ensures a long life against all weather condition, maintaining initial performances through the lifetime of the installation. Designed for highest efficiency in terms of more lumens at reduced wattages.

Product Description

- The luminaire comprises of specially contoured spun aluminium top cover.
- Pressure diecast aluminium magudam attachment added for aesthetics.
- Non-yellowing UV stabilised translucent acrylic diffuser.
- The lamp along with driver is housed inside the top portion and the bottom portion attached to a mounting base.
- Luminaire integrated with 30W LED.
- Suitable for mounting on 50mm OD pipe.
- Cable entries for through-wiring of mains supply cable
- Integral constant current power supply
- Prewired with LED driver and suitable for operating on 240V, 50Hz single phase ac supply.
- Ordering guide : KL-4932-CCT (Colour Temperature)
- Available CCT : 3000K, 4000K, 5700K



Product Benefits

- High luminous efficiency at reduced wattage.
- Elegant, Functionality
- Environmental Friendly
- The diffuser contributes to the creation of ambiance and to visual comfort by reducing glare.
- Low maintenance cost.
- Dark sky compliant protects pedestrians from glare, in addition to preventing spill light above the horizontal plane.
- Sustainable LED technology offers durability and optimal light output with low power consumption.

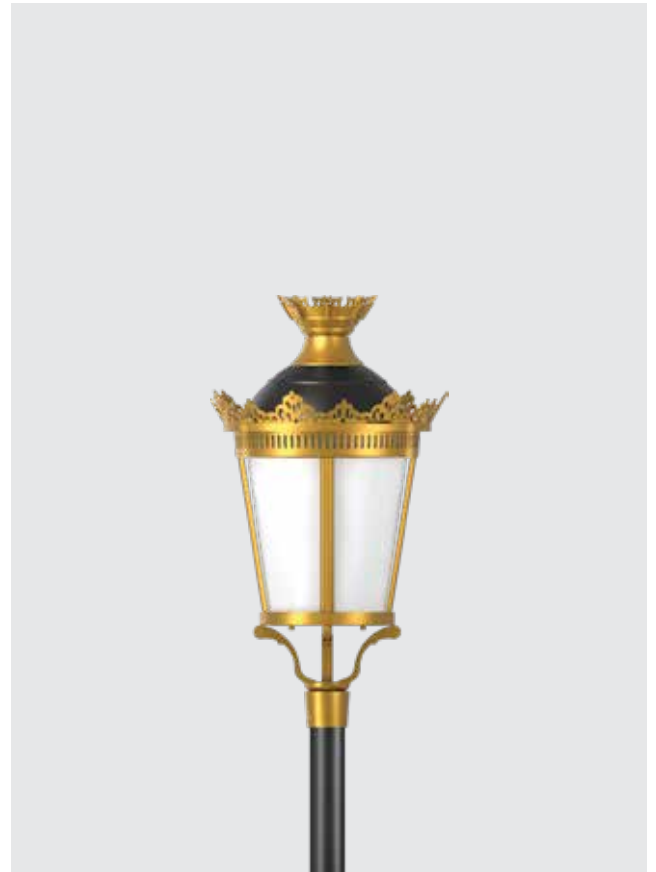
Area of Application

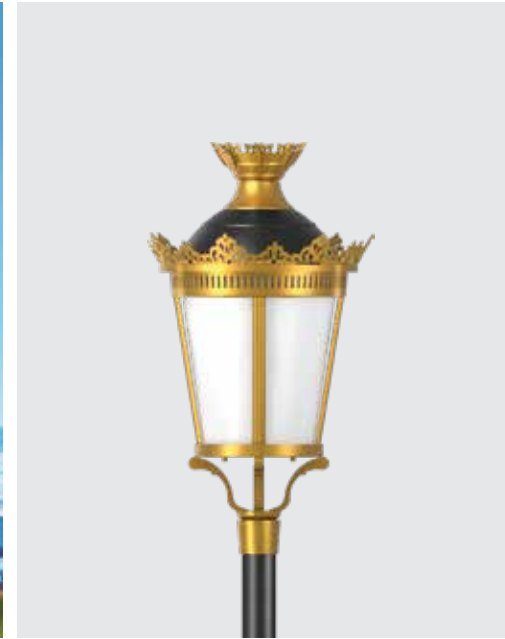
Illuminating parks, Gardens, commercial complex, Pathways in residential buildings, Walkways, Streetscapes & office complex.

Available Finish

Pure polyester powder coated

- Graphite grey & Gold
- Anthracite grey & Gold
- Jet black & Gold





Technical Specifications

General

ID : 4932
 System Wattage : 30W LED
 Driver Integral : Constant Current
 Input Voltage : 230-240Vac
 Frequency : 50-60Hz
 Operating Voltage : 100-277Vac
 Operating Temperature : -15°C~+50°C

Physical

Body : Spun aluminium top cover & Die cast aluminium base
 Diffuser : Translucent Acrylic
 Mounting : Ø50mm OD pipe
 Finish : Powder coated
 Graphite grey & Gold
 Jet black & Gold
 Anthracite grey & Gold

Light Source

Light Source : BRIDGELUX
 CRI (Ra) : >80
 LED Colour Temperature : 3000K / 4000K / 5700K

Driver

Power Supply : Integral
 Power Factor : >0.90
 THD : <10%
 Surge Protection : 4KV
 Efficiency : >85%

Optical Performance

Light Distribution : Symmetrical

