

These energy efficient In-ground recessed luminaire's are designed to create luminous walkways, or accentuate architecture elements in facades and landscapes providing distinctive lighting effects. Designed for high lumen efficiency at reduced wattage creating exceptional lighting effects.

### Product Description

- Luminaire made up of die-cast aluminium & Stainless steel.
- Hard chromeplated stainless steel 316 grade front ring.
- Silicone gasket.
- Translucent polycarbonate diffuser.
- Luminaire hard wired with 3 x 0.5mm<sup>2</sup> cable of 0.5 metre length.
- Supplied with mounting sleeve for preparing recessed opening in ground or wall.
- Cable entries for through-wiring of mains supply cable.
- Integral constant current power supply
- CRI (Ra) : ≥80 (90 CRI - On Request)
- Prewired with LED driver and suitable for operating on 240V, 50Hz single phase ac supply.
- Ordering guide : KL-4136-CCT (Colour Temperature)
- Available CCT : 3000K, 4000K, 6500K



### Product Benefits

- High luminous efficiency at reduced wattage.
- A sleek and minimalist shape provides distinctive lighting effects for inground and wall architecture.
- Sustainable LED technology offers durability and optimal light output with low power consumption.

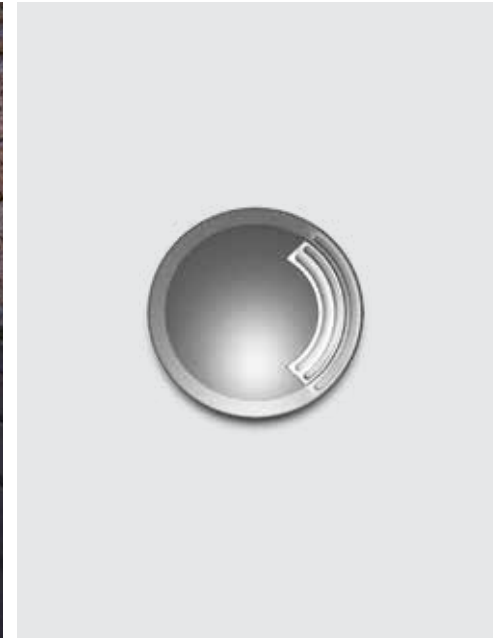
### Area of Application

Walk ways, Landscapes, Architectural elements.

### Accessory

- Supplied with IP67 rated connector for a secure connection to the network.
- ABS Plastic outer costing for easy installation.





**Technical Specifications**

**General**

ID	: 4136
System Wattage	: 9W LED
Driver Integral	: Constant Current
Input Voltage	: 240Vac
Frequency	: 50-60 Hz
Operating Voltage	: 100-277Vac
Operating Temperature	: -15°C~+50°C

**Physical**

Body	: Die-Cast Aluminium
Front Ring	: 316 Grade Stainless Steel
Diffuser	: Translucent Polycarbonate
Mounting Sleeve	: ABS - Black
Mounting	: Recess

**Light Source**

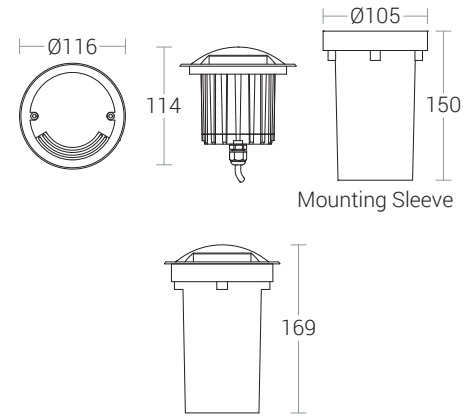
Light Source	: CITIZEN
LED Lumens	: 1350 lm
CRI (Ra)	: ≥80
LED Colour Temperature	: 3000K / 4000K / 5700K

**Driver**

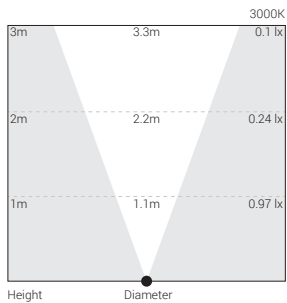
Power Supply	: Integral
Power Factor	: ≥0.9
THD	: <10%
Surge Protection	: 2.5KV
Efficiency	: >85%

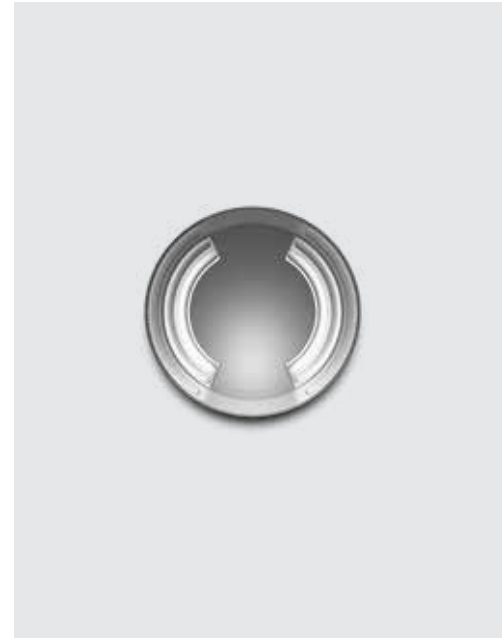
**Optical Performance**

Colour Temperature	: 3000K
Luminous flux	: 24 lm
Light Distribution	: 1 Way



**Photometric Data**





**Technical Specifications**

**General**

ID	: 4137
System Wattage	: 9W LED
Driver Integral	: Constant Current
Input Voltage	: 240Vac
Frequency	: 50-60 Hz
Operating Voltage	: 100-277Vac
Operating Temperature	: -15°C~+50°C

**Physical**

Body	: Die-Cast Aluminium
Front Ring	: 316 Grade Stainless Steel
Diffuser	: Translucent Polycarbonate
Mounting Sleeve	: ABS - Black
Mounting	: Recess

**Light Source**

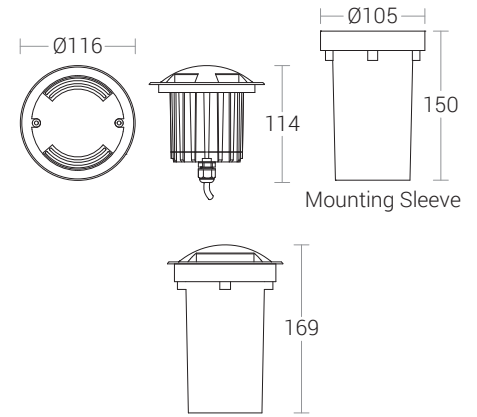
Light Source	: CITIZEN
LED Lumens	: 945 lm
CRI (Ra)	: ≥80
LED Colour Temperature	: 3000K / 4000K / 6500K

**Driver**

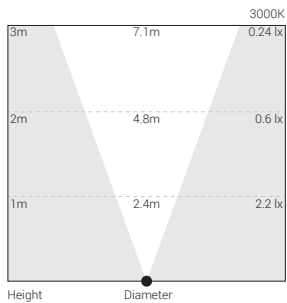
Power Supply	: Integral
Power Factor	: ≥0.9
THD	: <10%
Surge Protection	: 2.5KV
Efficiency	: >85%

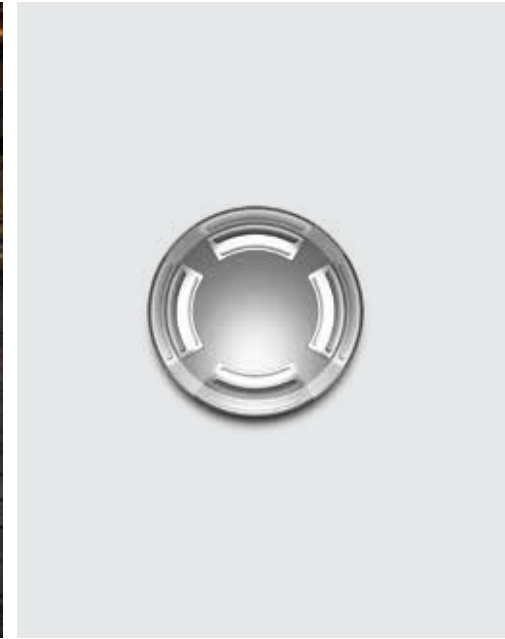
**Optical Performance**

Colour Temperature	: 3000K
Luminous flux	: 39 lm
Light Distribution	: 2 Way



**Photometric Data**





**Technical Specifications**

**General**

ID	: 4144
System Wattage	: 9W LED
Driver Integral	: Constant Current
Input Voltage	: 240Vac
Frequency	: 50-60 Hz
Operating Voltage	: 100-277Vac
Operating Temperature	: -15°C~+50°C

**Physical**

Body	: Die-Cast Aluminium
Front Ring	: 316 Grade Stainless Steel
Diffuser	: Translucent Polycarbonate
Mounting Sleeve	: ABS - Black
Mounting	: Recess

**Light Source**

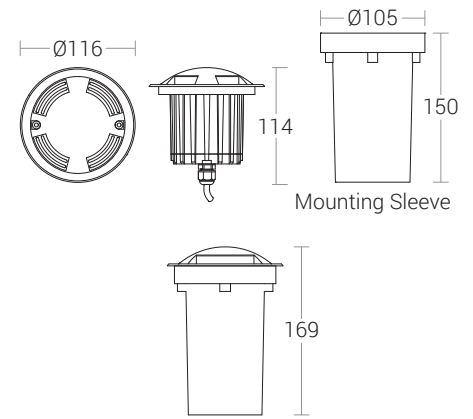
Light Source	: CITIZEN
LED Lumens	: 964 lm
CRI (Ra)	: ≥80
LED Colour Temperature	: 3000K / 4000K / 6500K

**Driver**

Power Supply	: Integral
Power Factor	: ≥0.9
THD	: <10%
Surge Protection	: 2.5KV
Efficiency	: >85%

**Optical Performance**

Colour Temperature	: 3000K
Luminous flux	: 43 lm
Light Distribution	: 4 Way



**Photometric Data**

