



palma

"The "Palma" street light luminaire seems to be designed with a focus on visual integration with the environment, utilizing high-quality LED sources known for their low energy consumption and long lifespan. The mention of asymmetrical light distribution suggests that the luminaire is engineered to direct light in a specific pattern, possibly to maximize illumination where needed while minimizing light spillage in undesired directions."

MATERIAL

Body : Aluminium & Extruded aluminium
Impact Protection : IK08
Ingress Protection : IP65 Module
Diffuser : Polycarbonate Optical Lens
Mounting : Suitable for mounting on 76mm / 88.9mm OD pole,
91mm square pole.

ELECTRICAL

Driver : Standard
Power Supply : Integral
Input Voltage : 230-240Vac / 50-60 Hz
Surge : 6KV

PRODUCT CONFIGURATIONS

Wattage : 100W
Light Distribution : Type II / Type III / Type IV
CCT : 2700K / 3000K / 4000K / 5700K
LED Life Time : L70 B10 1,00,000 H

AREA OF APPLICATION

Illuminating parks, Gardens, commercial & office complex, Street Lighting, Courtyards.

AVAILABLE FINISH

Pure polyester powder coated
RAL 9004 Signal black
RAL 9007 Grey aluminium
RAL 7016 Anthracite grey
Graphite grey





Technical Specifications

General

| | |
|-----------------------|--------------------|
| ID | : 4390 |
| System Wattage | : 100W LED |
| Driver Integral | : Constant Current |
| Operating Voltage | : 100-300Vac |
| Operating Temperature | : -15°C~+50°C |

Light Source

| | |
|------------------------|---------------------------------|
| Light Source | : LUMILEDS / OSRAM |
| CRI (Ra) | : >70 |
| LED Colour Temperature | : 2700K / 3000K / 4000K / 5700K |

Physical

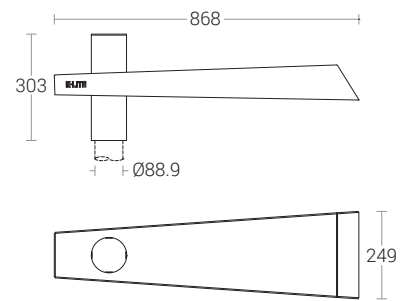
| | |
|----------|--|
| Body | : Aluminium |
| Diffuser | : Polycarbonate Optical Lens |
| Mounting | : Suitable for mounting on Ø76 / Ø88.9 / □91mm pole |
| Finish | : Powder coated RAL 9004 Signal black RAL 9007 Grey aluminium RAL 7016 Anthracite grey Graphite grey |

Driver

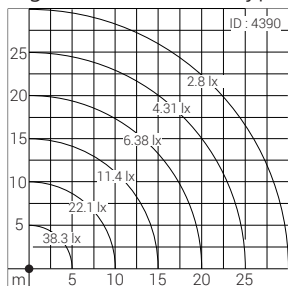
| | |
|------------------|--------------|
| Power Supply | : Integral |
| Input Voltage | : 230-240Vac |
| Frequency | : 50-60Hz |
| Power Factor | : >0.95 |
| THD | : <10% |
| Surge Protection | : 6KV |
| Efficiency | : >85% |

Optical Performance

| | |
|--------------------|--------------------------------|
| Light Distribution | : Type II / Type III / Type IV |
|--------------------|--------------------------------|



Light Distribution - Type III



Applied Photometry : H=10m