

An elegant and efficient lantern with translucent diffuser provide a unique, comfortable light choice with symmetrical light distribution. Aesthetically designed sturdy construction ensures a long life against all weather condition, maintaining initial performances through the lifetime of the installation.

### Product Description

- The luminaire comprises of specially contoured spun aluminium top cover with circular capping spacer and ventilating knob.
- Lamp compartment encased in non-yellowing translucent UV stabilised acrylic diffuser.
- Luminaire integrated with 27W LED.
- EPDM rubber gasket.
- Turn type polycarbonate locking system for easy maintenance.
- Die cast aluminium spigot base with aluminium alloy of low copper content for effective corrosion resistance.
- Suitable for mounting on 50mm OD pipe.
- Cable entries for through-wiring of mains supply cable.
- Integral constant current power supply
- Prewired with LED driver and suitable for operating on 240V, 50Hz single phase ac supply.
- Ordering guide : KL-4983-CCT (Colour Temperature)
- Available CCT : 3000K, 4000K, 5700K



### Product Benefits

- High luminous efficiency at reduced wattage.
- Elegant, Functionality
- Environmental Friendly
- Dark sky compliant protects pedestrians from glare, in addition to preventing spill light above the horizontal plane.
- The diffuser contributes to the creation of ambiance and to visual comfort by reducing glare.
- Low maintenance cost.
- Sustainable LED technology offers durability and optimal light output with low power consumption.

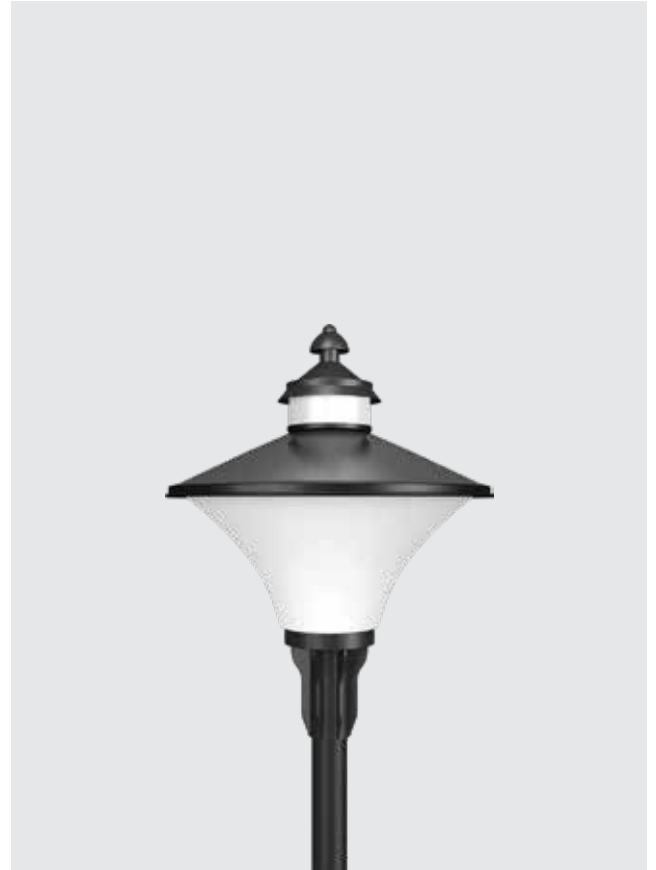
### Area of Application

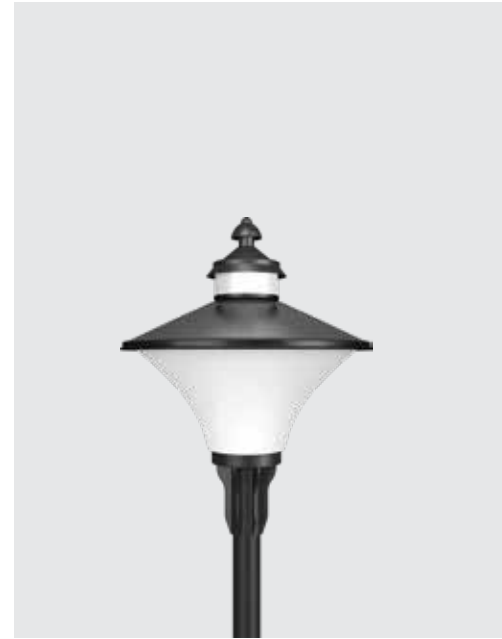
Illuminating parks, Gardens, Commercial complex, Residential roadways, Walkways, Streetscapes & office complex.

### Available Finish

Pure polyester powder coated

- Graphite grey
- Anthracite grey
- Jet black





**Technical Specifications**

**General**

ID	: 4983
System Wattage	: 27W LED
Driver Integral	: Constant Current
Input Voltage	: 230-240Vac
Frequency	: 50-60Hz
Operating Voltage	: 100-277Vac
Operating Temperature	: -15°C~+50°C

**Physical**

Body	: Die Cast Aluminium Base, Spun Aluminium Top Cover
Diffuser	: Translucent Acrylic
Mounting	: Suitable for Ø50mm OD Pipe
Finish	: Powder Coated Graphite Grey / Jet Black Anthracite Grey

**Light Source**

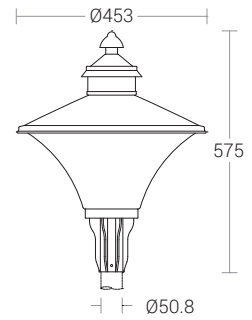
Light Source	: NICHIA
LED Lumens	: 4050 lm
CRI (Ra)	: >80
LED Colour Temperature	: 3000K / 4000K / 5700K

**Driver**

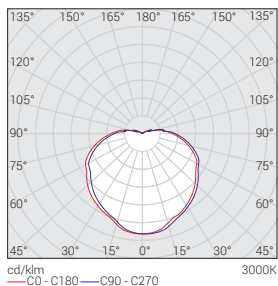
Power Supply	: Integral
Power Factor	: >0.9
THD	: 10%
Surge Protection	: 4KV
Efficiency	: >85%

**Optical Performance**

Colour Temperature	: 3000K
Luminous flux	: 1489 lm
Light Distribution	: Symmetrical



**Photometric data**



An elegant and efficient lantern with translucent diffuser provide a unique, comfortable light choice with symmetrical light distribution. Aesthetically designed sturdy construction ensures a long life against all weather condition, maintaining initial performances through the lifetime of the installation.

### Product Description

- The luminaire comprises of specially contoured spun aluminium top cover with circular capping spacer and ventilating knob.
- Lamp compartment encased in non-yellowing translucent UV stabilised acrylic diffuser.
- EPDM rubber gasket.
- Turn type polycarbonate locking system for easy maintenance.
- Die cast aluminium spigot base with aluminium alloy of low copper content for effective corrosion resistance.
- Suitable for mounting on 50mm OD pipe.
- Cable entries for through-wiring of mains supply cable.
- Prewired with E27 holder and suitable for operation on 240V, 50Hz single phase ac supply.



### Product Benefits

- High luminous efficiency at reduced wattage.
- Elegant, Functionality
- Environmental Friendly
- Dark sky compliant protects pedestrians from glare, in addition to preventing spill light above the horizontal plane.
- The diffuser contributes to the creation of ambiance and to visual comfort by reducing glare.
- Low maintenance cost.

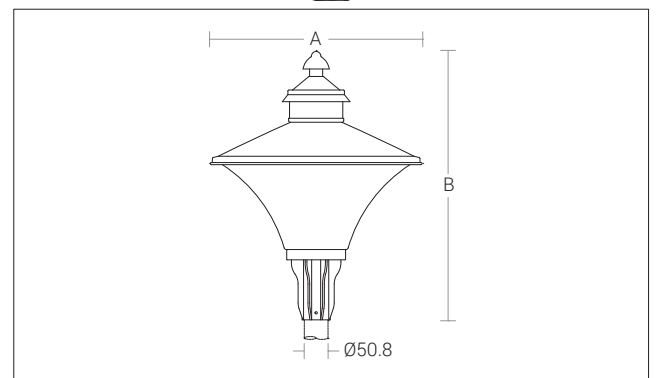
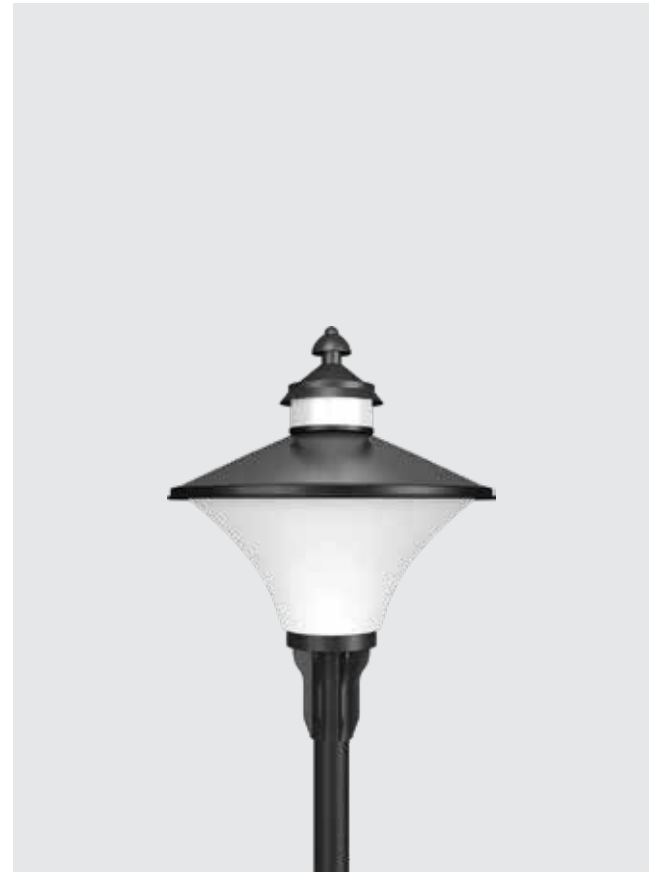
### Area of Application

Illuminating parks, Gardens, Commercial complex, Residential roadways, Walkways, Streetscapes & office complex.

### Available Finish

Pure polyester powder coated

- Graphite grey
- Anthracite grey
- Jet black



ID	Wattage	A	B
5084	E27 Translucent	Ø453	575

Note : Max. Wattage : 17W LED / 23W CFLE