

Surface mounted LED luminaires suitable for wall, ceiling & floor applications which adds elegance to commercial, historical and modern architecture.

Product Description

- Luminaire body made of aluminium alloy (grade 6063) of high strength and heat dissipation performance.
- Safety clear toughened glass.
- Silicone gasket.
- Equipped to take multiple optics for varied wall grazing & wall washing distribution
- All external screws used are in stainless steel.
- Mounting bracket to facilitate proper aiming of the luminaire at desired angle during installation.
- Wall, ceiling and floor mount options with adjustable brackets.
- Constant voltage non integral power supply
- Luminaire power cord for single colour 2 x 1.0mm² rubber wire of 0.5 metre length.
- LED versions available with 3000K (Other CCT's on request).
- Low Voltage at 24V dc assures safety.



Product Benefits

- Versatile use, Simple installation
- Varied optics
- Sustainable LED technology offers durability and optimal light output with low power consumption.

Areas of Application

Building Facade, Architectural focal points, Bridges, Landscapes, Architectural elements.

Available Finish

Pure polyester powder coated

- RAL 7024 Graphite Grey



Note : It is our constant endeavor to upgrade the performance of our products. For the latest technical information, IES files and product updates please refer to the website at www.klite.in



OPEN SOURCE

Technical Specifications

General

ID	: 4319
System Wattage	: 20W LED
Driver Non-Integral	: Constant Voltage
Operating Voltage	: 24Vdc
Operating Temperature	: -10°C~+50°C

Light Source

Light Source	: CREE
CRI (Ra)	: >80
LED Colour Temperature	: 3000K (Other CCT's on request)

Physical

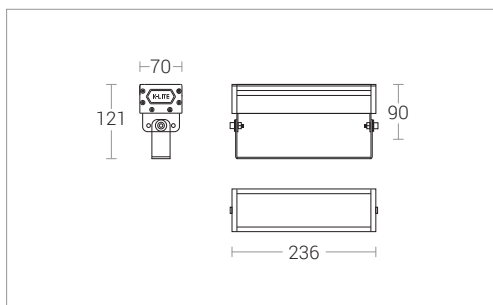
Body	: 6063 Aluminium Alloy
Diffuser	: Clear Toughened Glass
Mounting	: Surface - Bracket
Finish	: Powder Coated RAL 7024 Graphite Grey

Driver

Power Supply	: Non Integral
--------------	----------------

Optical Performance

Beam Angle	: 2° / 20° / 10°x30°
------------	----------------------



Surface mounted LED luminaires suitable for wall, ceiling & floor applications which adds elegance to commercial, historical and modern architecture.

Product Description

- Luminaire body made of aluminium alloy (grade 6063) of high strength and heat dissipation performance.
- Safety clear toughened glass.
- Silicone gasket.
- Equipped to take multiple optics for varied wall grazing & wall washing distribution
- All external screws used are in stainless steel.
- Mounting bracket to facilitate proper aiming of the luminaire at desired angle during installation.
- Wall, ceiling and floor mount options with adjustable brackets.
- Constant voltage non integral power supply
- Luminaire power cord for RGBW signal wire 5 x 0.5mm² rubber wire male female butt joint unilateral 0.5mm length.
- LED versions available with RGBW.
- RGBW DMX512 compatibility
- Low Voltage at 24V dc assures safety.



Product Benefits

- Versatile use, Simple installation
- Varied optics
- Sustainable LED technology offers durability and optimal light output with low power consumption.

Areas of Application

Building Facade, Architectural focal points, Bridges, Landscapes, Architectural elements.

Available Finish

- Pure polyester powder coated
- RAL 7024 Graphite Grey



Note : It is our constant endeavor to upgrade the performance of our products. For the latest technical information, IES files and product updates please refer to the website at www.klite.in



OPEN SOURCE

Technical Specifications

General

ID	: 4319
System Wattage	: 20W LED
Driver Non-Integral	: Constant Voltage
Operating Voltage	: 24Vdc
Operating Temperature	: -10°C~+50°C

Physical

Body	: 6063 Aluminium Alloy
Diffuser	: Clear Toughened Glass
Mounting	: Surface - Bracket
Finish	: Powder Coated RAL 7024 Graphite Grey

Light Source

Light Source	: CREE
CRI (Ra) for White light	: >80
LED Colour Temperature	: RGBW

Driver

Power Supply	: Non Integral
Control	: DMX512 compatibility

Optical Performance

Beam Angle	: 2° / 20° / 10°x30°
------------	----------------------

