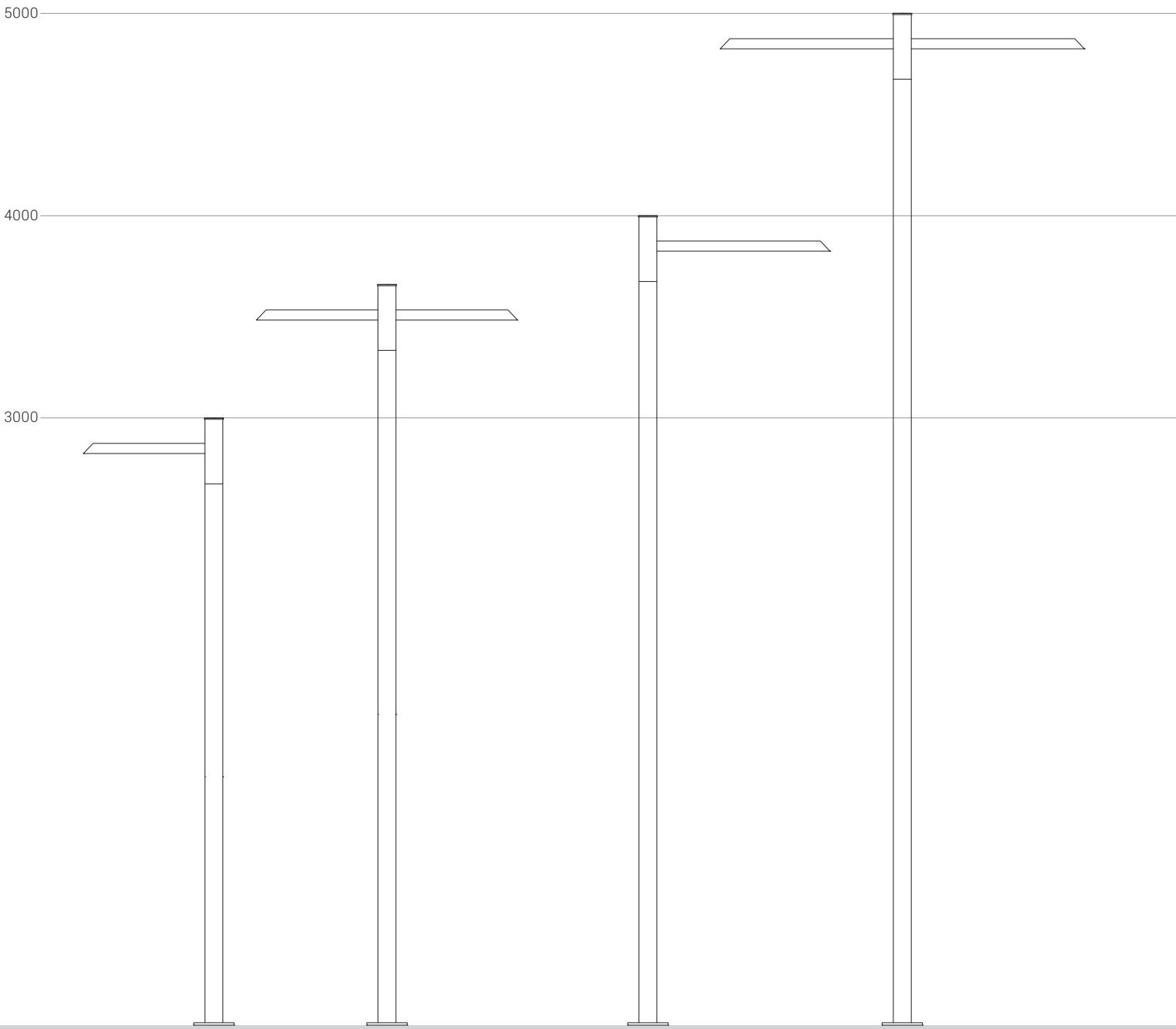




line



**Note :** Base pole to be ordered separately.

Crafted with a focus on exceptional visual comfort, the Line luminaire is designed to excel in creating both orientation and ambiance in outdoor spaces. Whether it's illuminating pathways, driveways, or outdoor seating areas, these luminaires are adept at providing gentle yet effective general ambient light. This capability not only enhances visibility but also contributes to a sense of security and tranquility during night-time hours. The design of Line luminaires ensures they blend seamlessly into their surroundings while offering reliable performance and aesthetic appeal.

#### MATERIAL

Body	: Extruded aluminium alloy (grade 6063)
Impact Protection	: IK08
Ingress Protection	: IP65
Lens	: Polycarbonate optical lens
Optical	: Slight regress in the optical assembly for better glare control
Mounting	: Suitable for mounting on Ø76mm OD pole

#### ELECTRICAL

Driver	: Standard
Power Supply	: Integral
Input Voltage	: 230-240Vac / 50-60 Hz
Surge	: 4KV

#### PRODUCT CONFIGURATIONS

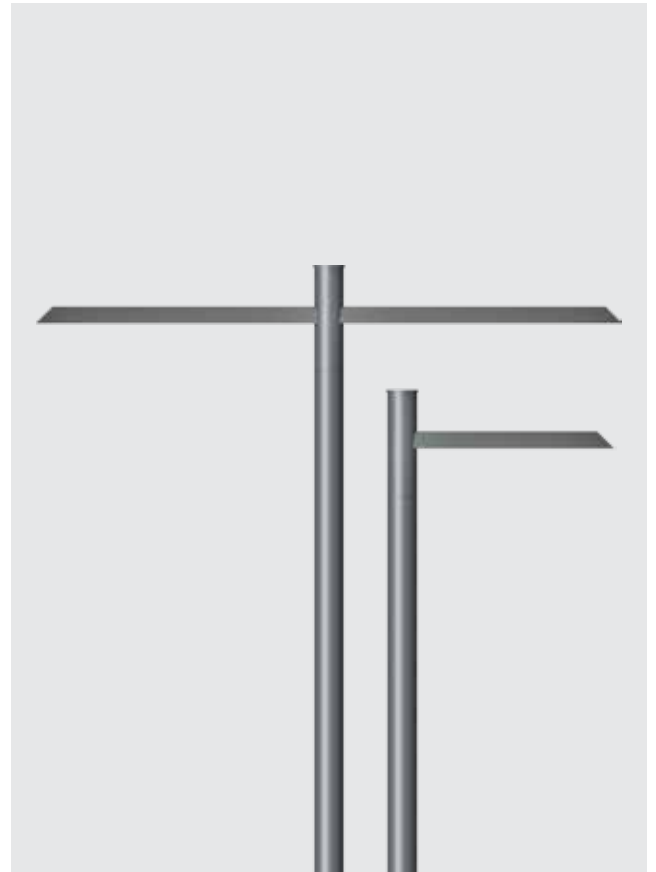
Wattage	: 24W / 48W
Light Distribution	: Type III Medium
CCT	: 3000K / 4000K / 5700K
LED Life Time	: L70 B10 60,000 H

#### AREA OF APPLICATION

Illuminating parks, Gardens, Commercial complex, Pathways in residential buildings.

#### AVAILABLE FINISH

Pure polyester powder coated  
RAL 9004 Signal black  
RAL 9007 Grey aluminium  
RAL 7016 Anthracite grey





### Technical Specifications

#### General

ID : 4389 / 4383  
 System Wattage : 24W / 48W LED  
 Driver Integral : Constant Current  
 Operating Voltage : 100-300Vac  
 Operating Temperature : -15°C~+50°C

#### Light Source

Light Source : NICHIA  
 CRI (Ra) : >80  
 LED Colour Temperature : 3000K / 4000K / 5700K

#### Physical

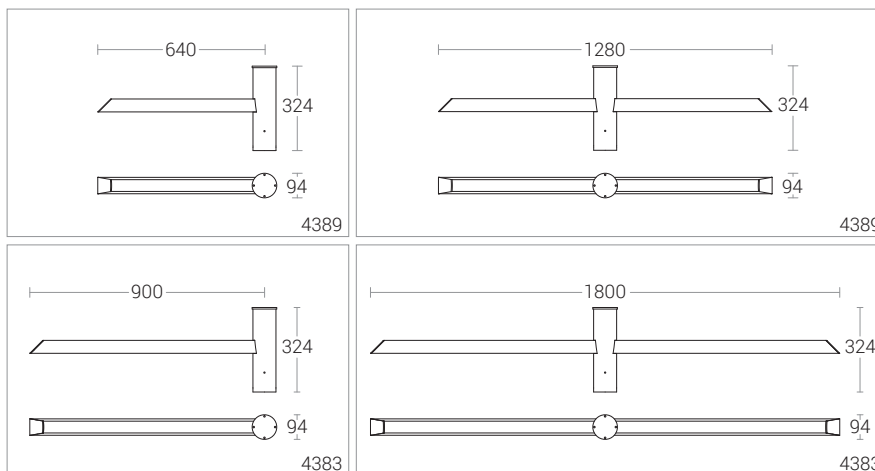
Body : Extruded Aluminium  
 Diffuser : Polycarbonate Optical Lens  
 Mounting : Suitable for mounting on Ø76mm OD pole  
 Finish : Powder coated  
 RAL 9004 Signal black  
 RAL 9007 Grey aluminium  
 RAL 7016 Anthracite grey

#### Driver

Power Supply : Integral  
 Input Voltage : 230-240Vac  
 Frequency : 50-60 Hz  
 Power Factor : 0.95  
 THD : <10%  
 Surge Protection : 4KV  
 Efficiency : >80%

#### Optical Performance

Light Distribution : Type III Medium



#### Photometric Data

