

Decorative bollard suitable for classical architecture, create a pleasant light distribution with a high degree of visual comfort. These luminaires offer shielded glare free illumination of ground surface and are perfect for illuminating entrances, footpaths as well as garden and landscape architecture.

Product Description

- Luminaire body made of pressure die-cast aluminium with extruded aluminium supporting arm and SS fasteners.
- Laser cutting leaf design made of GI sheet.
- Luminaires can be supplied in different bespoke design options.
- For optimum coordination with lighting situation, these luminaires can be supplied in two different mounting heights.
- Luminaire integrated with 12W LED.
- Die-cast aluminium mounting plate for bolting onto a foundation.
- Cable entries for through-wiring of mains supply cable
- Integral constant current power supply
- CRI (Ra) : ≥ 80
- Prewired with LED driver and suitable for operating on 240V, 50Hz single phase ac supply.
- Ordering guide : KL-4588-CCT (Colour Temperature)
- Available CCT : 2700K, 4000K, 5700K.



Product Benefits

- High luminous efficiency at reduced wattage.
- Elegant, Robust design
- Quick installation and low assembly costs.
- Dark sky compliant protects pedestrians from glare, in addition to preventing spill light above the horizontal plane.
- Sustainable LED technology offers durability and optimal light output with low power consumption.

Area of Application

Suitable for Residential & Public areas for Illuminating Driveways, Pathways, Flowerbeds, Entrances, Squares, Gardens and as well as landscape architecture.

Available Finish

Pure polyester powder coated

- Graphite grey
- Anthracite grey
- Jet black





Technical Specifications

General

ID	: 4588 / 4589
System Wattage	: 12W LED
Driver Integral	: Constant Current
Input Voltage	: 230-240Vac
Frequency	: 50-60Hz
Operating Voltage	: 100-277Vac
Operating Temperature	: -15°C~+50°C

Light Source

Light Source	: CITIZEN COB
CRI (Ra)	: ≥80
LED Colour Temperature	: 2700K / 4000K / 5700K

Driver

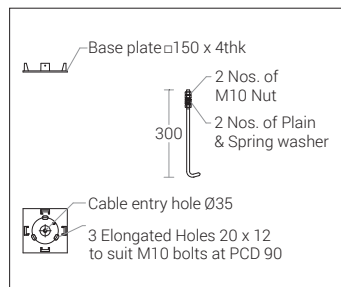
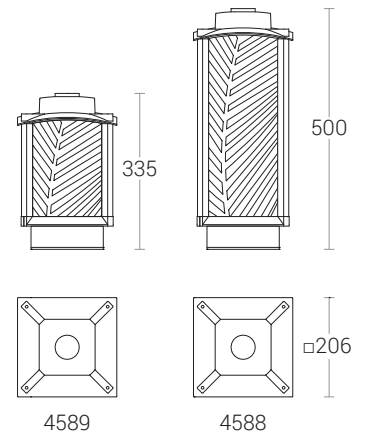
Power Supply	: Integral
Power Factor	: >0.95
THD	: <10%
Surge Protection	: 4KV
Efficiency	: >85%

Physical

Body	: Die-Cast Aluminium
Arm	: Extruded Aluminium
Mounting	: Surface - Floor
Finish	: Powder coated Graphite grey / Jet black Anthracite grey

Optical Performance

Light Distribution	: Symmetrical
--------------------	---------------



Note : It is our constant endeavor to upgrade the performance of our products. For the latest technical information, IES files and product updates please refer to the website at www.klite.in