

The Bulk head are the perfect combination of aesthetic fixture design and optimum illumination performance. Surface mounting wall light for illumination of interior and exterior locations where guidance and security lighting is required.

**Product Description**

- Luminaire made of die cast aluminium with non corrosive SS fasteners.
- Non yellowing UV stabilized prismatic polycarbonate diffuser for glare free, uniform light distribution.
- Luminaire integrated with 2 x E27 Holder.
- Clear silicone gasket.
- Surface mounting on wall using hardware after connecting to the power supply.
- Cable entries for through-wiring of mains supply cable.
- Suitable for operating on 240V, 50Hz single phase ac supply.



**Product Benefits**

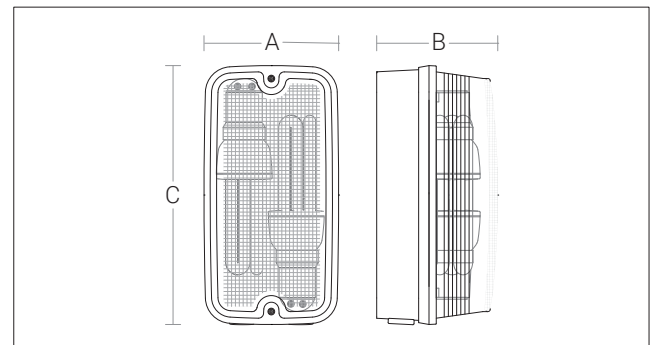
- Sturdy construction in order to maintain performance of the luminaire and to reduce maintenance costs.
- Moisture proof, insect free.
- The diffuser contributes to the creation of ambiance and to visual comfort by reducing glare.
- Versatile use, Simple installation.

**Area of Application**

Suitable for Private & Public areas, Commercial centres, Walkways, Residential, Passages.

**Available Finish**

Pure polyester powder coated black



ID	Wattage	A	B	C
4070	2 x E27 Holder	130	116	250

The Bulk head are the perfect combination of aesthetic fixture design and optimum illumination performance. Surface mounting wall light for illumination of interior and exterior locations where guidance and security lighting is required.

### Product Description

- Luminaire made of die cast aluminium with non corrosive SS fasteners.
- Non yellowing UV stabilized prismatic polycarbonate diffuser for glare free, uniform light distribution.
- Silicone gasket.
- Luminaire integrated with 12W LED.
- Cable entries for through-wiring of mains supply cable.
- Integral constant current power supply.
- CRI (Ra) : >80.
- Prewired with LED driver and suitable for operating on 240V, 50Hz single phase ac supply.
- Ordering guide : KL-5616-CCT (Colour Temperature).
- Available CCT : 3000K, 4000K, 5700K.



### Product Benefits

- High luminous efficiency at reduced wattage.
- Sturdy construction in order to maintain performance of the luminaire and to reduce maintenance costs.
- Moisture proof, insect free.
- The diffuser contributes to the creation of ambiance and to visual comfort by reducing glare.
- Versatile use, Simple installation.
- Sustainable LED technology offers durability and optimal light output with low power consumption.

### Area of Application

Suitable for Private & Public areas, Commercial centres, Walkways, Residential, Passages.

### Available Finish

Pure polyester powder coated black





**Technical Specifications**

**General**

ID	: 5616
System Wattage	: 12W LED
Driver Integral	: Constant Current
Input Voltage	: 230-240Vac
Frequency	: 50-60Hz
Operating Voltage	: 100-277Vac
Operating Temperature	: -15°C~+50°C

**Physical**

Body	: Die Cast Aluminium
Diffuser	: Prismatic polycarbonate
Mounting	: Wall - Surface
Finish	: Powder Coated Black

**Light Source**

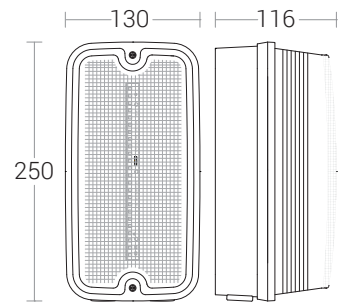
Light Source	: NICHIA
LED Lumens	: 1800 lm
CRI (Ra)	: >80
LED Colour Temperature	: 3000K / 4000K / 5700K

**Driver**

Power Supply	: Integral
Power Factor	: >0.9
THD	: <10%
Surge Protection	: 2.5KV
Efficiency	: >85%

**Optical Performance**

Colour Temperature	: 3000K
Luminous flux	: 1261 lm
Beam Angle	: 120°



**Photometric Data**

