

These flower bed luminaire is a combination of low height tube. These luminaires offer glare free illumination of ground surface and are perfect for illuminating entrances, footpaths as well as garden and landscape architecture.

**Product Description**

- Extruded aluminium alloy (grade 6063) with die-cast aluminium components and non corrosive SS fasteners.
- Decorative die-cast aluminium rook base with leaf decoration.
- Single moulded spherical translucent PMMA dome for rotationally symmetrical distribution of light.
- Turn type polycarbonate locking system for easy maintenance.
- Mounting plate Die cast aluminium double powder coated with an anchorage unit and stainless steel fixing screws.
- Cable entries for through-wiring of mains supply cable.
- Prewired with E27 holder and suitable for operation on 240V, 50Hz single phase ac supply.



**Product Benefits**

- The diffuser contributes to the creation of ambiance and to visual comfort by reducing glare.
- Low maintenance cost.
- Distinctive with unlimited durability.
- Decorative design for classical architecture.

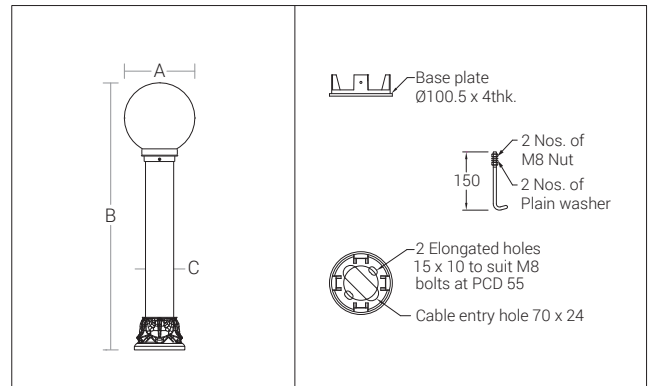
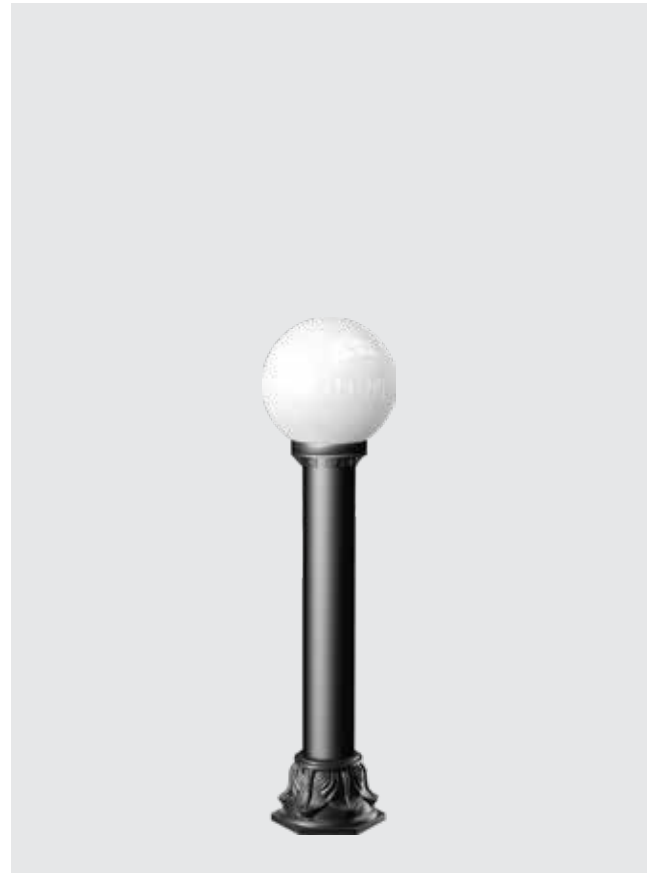
**Area of Application**

Suitable for Residential & Public areas for Illuminating Driveways, Pathways, Flowerbeds, Entrances, Squares, Gardens and as well as landscape architecture.

**Available Finish**

Pure polyester powder coated

- Graphite grey
- Anthracite grey
- Jet black



ID	Holder	A	B	C
4543	E27	Ø250	950	100

Max. Wattage : 13W LED / 20W CFLE

These flower bed luminaire is a combination of low height tube. These luminaires offer glare free illumination of ground surface and are perfect for illuminating entrances, footpaths as well as garden and landscape architecture.

### Product Description

- Extruded aluminium alloy (grade 6063) with die-cast aluminium components and non corrosive SS fasteners.
- Decorative die-cast aluminium rook base with leaf decoration.
- Single moulded spherical Translucent PMMA dome for rotationally symmetrical distribution of light.
- Turn type polycarbonate locking system for easy maintenance.
- Mounting plate Die cast aluminium double powder coated with an anchorage unit and stainless steel fixing screws.
- Cable entries for through-wiring of mains supply cable.
- Integral constant current power supply
- CRI (Ra) :  $\geq 80$
- Prewired with LED driver and suitable for operating on 240V, 50Hz single phase ac supply.
- Ordering guide : KL-4544-CCT (Colour Temperature)
- Available CCT : 3000K, 4000K, 5700K



### Product Benefits

- The diffuser contributes to the creation of ambiance and to visual comfort by reducing glare.
- Low maintenance cost.
- Distinctive with unlimited durability.
- Decorative design for classical architecture.

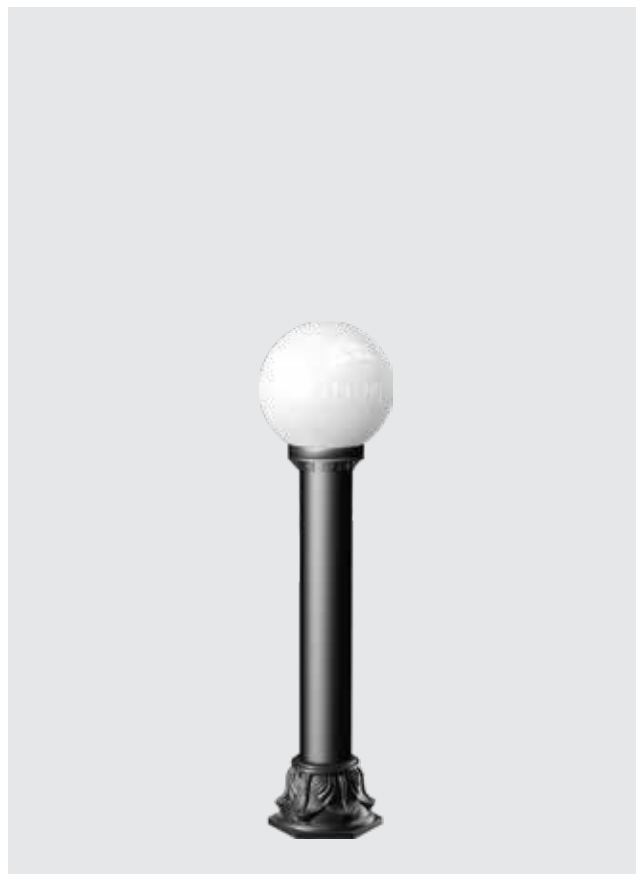
### Area of Application

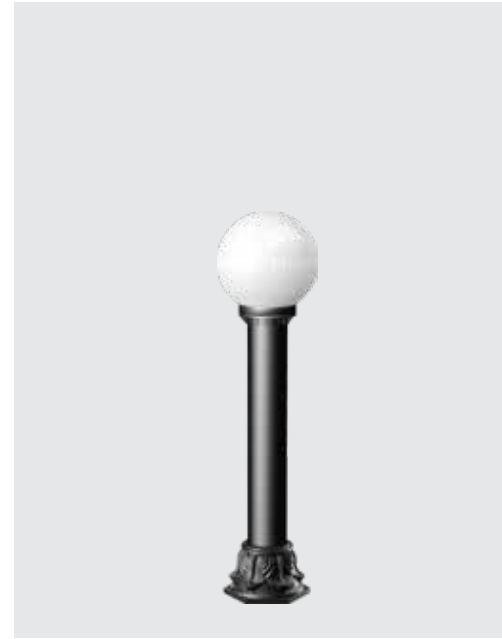
Suitable for Residential & Public areas for Illuminating Driveways, Pathways, Flowerbeds, Entrances, Squares, Gardens and as well as landscape architecture.

### Available Finish

Pure polyester powder coated

- Graphite grey
- Anthracite grey
- Jet black





**Technical Specifications**

**General**

ID	: 4544
System Wattage	: 12W LED
Driver Integral	: Constant Current
Input Voltage	: 230-240Vac
Frequency	: 50-60 Hz
Operating Voltage	: 100-277Vac
Operating Temperature	: -15°C~+50°C

**Physical**

Body	: Extruded Aluminium
Diffuser	: PMMA dome
Lock Ring	: Black Polycarbonate
Mounting	: Surface-Floor
Finish	: Powder coated Graphite grey, Jet black Anthracite grey

**Light Source**

Light Source	: NICHIA
LED Lumens	: 1800 lm
CRI (Ra)	: >80
LED Colour Temperature	: 3000K / 4000K / 5700K

**Driver**

Power Supply	: Integral
Power Factor	: >0.9
THD	: <10%
Surge Protection	: 2.5KV
Efficiency	: >85%

**Optical Performance**

Light Distribution	: Symmetrical
--------------------	---------------

