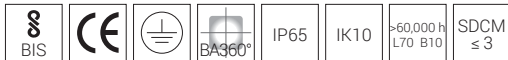


Elegant column lighting feature, which is suitable for both modern and classic architecture. Ideal for creating orientation with exceptional visual comfort. These luminaires offer general ambient light in open spaces giving a sense of security in night-time. Clean Lines and pure form are the underlying elements in this series of column light, designed to provide rotationally symmetrical illumination, Light emission 360°.

Technical Specifications

- Luminaire made of extruded aluminium alloy (grade 6063) with die-cast aluminium components and non corrosive SS fasteners.
- Shielded light.
- For optimum illumination, these luminaires can be supplied in different heights.
- Non yellowing UV stabilized translucent polycarbonate diffuser.
- Silicone gasket.
- Die-cast aluminium mounting plate with an anchorage unit made out of hot dip galvanised steel for extra guarantee against corrosion. Luminaire can be aligned on the mounting plate around 360°.
- Cable entries for through-wiring of mains supply cable.
- Integral constant current power supply
- CRI (Ra) : >80 (90 CRI - On Request)
- Prewired with LED driver and suitable for operating on 240V, 50Hz single phase ac supply.
- Ordering guide : KL-7018-CCT (Colour Temperature)
- Available CCT : 2700K, 4000K, 5700K



Product Benefits

- Practical . Elegant . Efficient
- Timeless modern design options.
- Easy to maintain, robust and durable construction.
- Soft diffused lighting protects pedestrians from glare and provides distinctive lighting with exceptional visual comfort.
- Sustainable LED technology offers durability and optimal light output with low power consumption.

Area of Application

Suitable for Private & Public areas, Illuminating Driveways, Pathways, Building surrounds, Entrances, Squares & Gardens, Promenades.

Available Finish

Pure polyester powder coated

- Graphite grey
- Anthracite grey
- Jet black





Technical Specifications

General

ID	: 7021
System Wattage	: 24W LED
Driver Integral	: Constant Current
Input Voltage	: 230-240Vac
Frequency	: 50-60 Hz
Operating Voltage	: 100-277Vac
Operating Temperature	: -15°C~+50°C

Light Source

Light Source	: NICHIA / LUMILEDS
CRI (Ra)	: >80
LED Colour Temperature	: 2700K / 4000K / 5700K

Driver

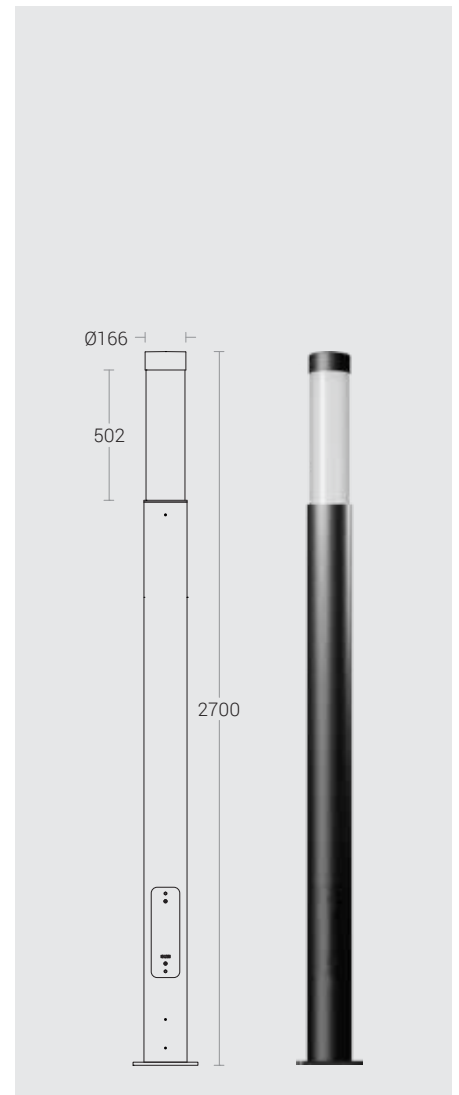
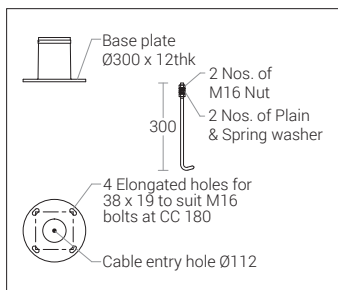
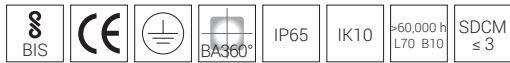
Power Supply	: Integral
Power Factor	: >0.95
THD	: <10%
Surge Protection	: 4KV
Efficiency	: >88%

Physical

Body	: Extruded Aluminium
Diffuser	: Translucent Polycarbonate
Mounting	: Surface
Finish	: Powder Coated Graphite grey / Anthracite grey / Jet black

Optical Performance

Light Distribution	: Symmetrical
--------------------	---------------





Technical Specifications

General

ID	: 7020
System Wattage	: 48W LED
Driver Integral	: Constant Current
Input Voltage	: 230-240Vac
Frequency	: 50-60 Hz
Operating Voltage	: 100-277Vac
Operating Temperature	: -15°C~+50°C

Physical

Body	: Extruded Aluminium
Diffuser	: Translucent Polycarbonate
Mounting	: Surface
Finish	: Powder Coated Graphite grey / Anthracite grey / Jet black

Light Source

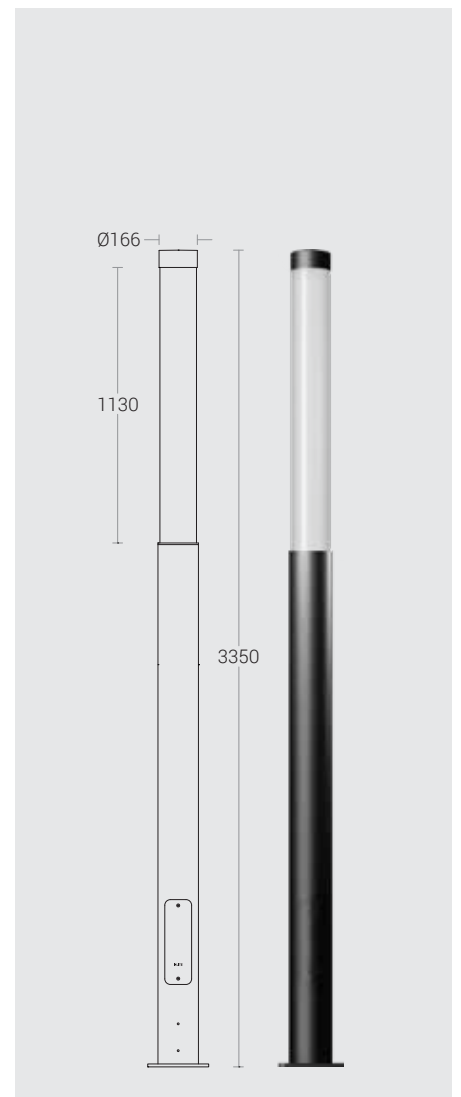
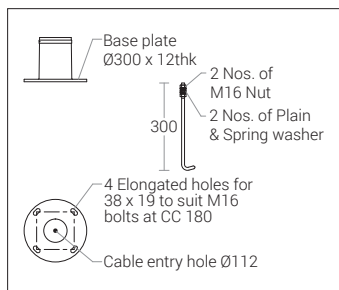
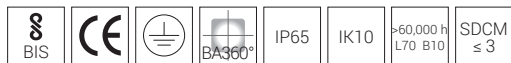
Light Source	: NICHIA
CRI (Ra)	: >80
LED Colour Temperature	: 2700K / 4000K / 5700K

Driver

Power Supply	: Integral
Power Factor	: >0.95
THD	: <10%
Surge Protection	: 6KV
Efficiency	: >85%

Optical Performance

Light Distribution	: Symmetrical
--------------------	---------------





Technical Specifications

General

ID	: 7018
System Wattage	: 100W LED
Driver Integral	: Constant Current
Input Voltage	: 230-240Vac
Frequency	: 50-60 Hz
Operating Voltage	: 100-277Vac
Operating Temperature	: -15°C~+50°C

Physical

Body	: Extruded Aluminium
Diffuser	: Translucent Polycarbonate
Mounting	: Surface
Finish	: Powder Coated Graphite grey / Anthracite grey / Jet black

Light Source

Light Source	: NICHIA
CRI (Ra)	: >80
LED Colour Temperature	: 2700K / 4000K / 5700K

Driver

Power Supply	: Integral
Power Factor	: >0.95
THD	: <10%
Surge Protection	: 6KV
Efficiency	: >88%

Optical Performance

Light Distribution	: Symmetrical
--------------------	---------------

