

"Spectra" pathway luminaire, is an innovative design options to provide visual integration with the environment. Aesthetically designed sturdy construction ensures a long life against all weather condition, maintaining initial performances through the lifetime of the installation. Product offered asymmetrical light distribution.

### Product Description

- Luminaire body made of extruded aluminium alloy (grade 6063) and non corrosive stainless steel fasteners.
- Polycarbonate optical lens.
- Luminaire integrated with 50W LED.
- Suitable for mounting on 76mm / 88.9mm OD pipe, 72mm / 91mm square pipe.
- Cable entries for through-wiring of mains supply cable.
- Integral constant current power supply
- CRI (Ra) :  $\geq 70$
- Prewired with LED driver and suitable for operating on 240V, 50Hz single phase ac supply.
- Ordering guide : KL-4432-CCT (Colour Temperature)
- Available CCT : 2700K, 3000K, 4000K, 5700K.



### Product Benefits

- High luminous efficiency at reduced wattage.
- Functionally versatile, strong and stable.
- Corrosion resistant and Maintenance free.
- Quick installation and low assembly costs.
- Sustainable LED technology offers durability and optimal light output with low power consumption.

### Areas of Application

Illuminating parks, Gardens, Commercial complex, Smaller Roadways, Private driveways, Pathways in Residential buildings & office complex.

### Available Finish

Pure polyester powder coated  
RAL 9004 Signal black  
RAL 9007 Grey aluminium  
RAL 7016 Anthracite grey  
Graphite grey





OPEN SOURCE

**Technical Specifications**

**General**

ID : 4432  
 System Wattage : 50W LED  
 Driver Integral : Constant Current  
 Operating Voltage : 100-265Vac  
 Operating Temperature : -15°C~+50°C

**Physical**

Body : Extruded Aluminium  
 Diffuser : Polycarbonate Optical Lens  
 Mounting : Suitable for mounting on  
 Ø76 / Ø88.9 / □72 / □91

Finish : Powder coated  
 RAL 9004 Signal black  
 RAL 9007 Grey aluminium  
 RAL 7016 Anthracite grey  
 Graphite grey

**Light Source**

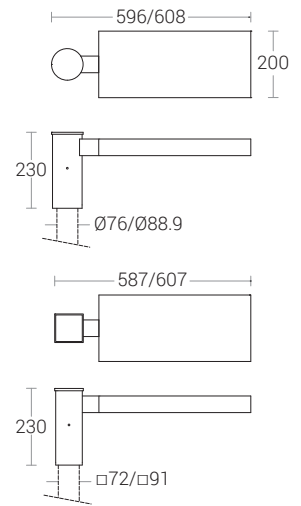
Light Source : LUMILEDS / OSRAM  
 CRI (Ra) : ≥70  
 LED Colour Temperature : 2700K / 3000K / 4000K / 5700K

**Driver**

Power Supply : Integral  
 Input Voltage : 230-240Vac  
 Frequency : 50-60Hz  
 Power Factor : >0.9  
 THD : <10%  
 Surge Protection : 6KV  
 Efficiency : >85%

**Optical Performance**

Light Distribution : Type III



"Spectra" pathway luminaire, is an innovative design options to provide visual integration with the environment. Aesthetically designed sturdy construction ensures a long life against all weather condition, maintaining initial performances through the lifetime of the installation. Product offered asymmetrical light distribution.

### Product Description

- Luminaire body made of extruded aluminium alloy (grade 6063) and non corrosive stainless steel fasteners.
- Polycarbonate optical lens.
- Luminaire integrated with 100W LED.
- Suitable for mounting on 76mm / 88.9mm OD pipe, 72mm / 91mm square pipe.
- Cable entries for through-wiring of mains supply cable.
- Integral constant current power supply
- CRI (Ra) :  $\geq 70$
- Prewired with LED driver and suitable for operating on 240V, 50Hz single phase ac supply.
- Ordering guide : KL-4433-CCT (Colour Temperature)
- Available CCT : 2700K, 3000K, 4000K, 5700K.



### Product Benefits

- High luminous efficiency at reduced wattage.
- Functionally versatile, strong and stable.
- Corrosion resistant and Maintenance free.
- Quick installation and low assembly costs.
- Sustainable LED technology offers durability and optimal light output with low power consumption.

### Areas of Application

Street Lighting, Park Lighting, Expressways, Highways, Courtyards.

### Available Finish

Pure polyester powder coated  
RAL 9004 Signal black  
RAL 9007 Grey aluminium  
RAL 7016 Anthracite grey  
Graphite grey





OPEN SOURCE

**Technical Specifications**

**General**

ID : 4433  
 System Wattage : 100W LED  
 Driver Integral : Constant Current  
 Operating Voltage : 100-265Vac  
 Operating Temperature : -15°C~+50°C

**Light Source**

Light Source : LUMILEDS / OSRAM  
 CRI (Ra) : ≥70  
 LED Colour Temperature : 2700K / 3000K / 4000K / 5700K

**Physical**

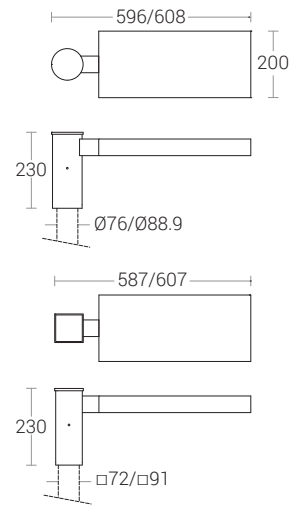
Body : Extruded Aluminium  
 Diffuser : Polycarbonate Optical Lens  
 Mounting : Suitable for mounting on  
 Ø76 / Ø88.9 / □72 / □91  
 Finish : Powder coated  
 RAL 9004 Signal black  
 RAL 9007 Grey aluminium  
 RAL 7016 Anthracite grey  
 Graphite grey

**Driver**

Power Supply : Integral  
 Input Voltage : 230-240Vac  
 Frequency : 50-60Hz  
 Power Factor : >0.9  
 THD : <10%  
 Surge Protection : 6KV  
 Efficiency : >85%

**Optical Performance**

Light Distribution : Type III



"Dual Spectra" pathway luminaire, is an innovative design options to provide visual integration with the environment. Aesthetically designed sturdy construction ensures a long life against all weather condition, maintaining initial performances through the lifetime of the installation. Product offered asymmetrical light distribution.

### Product Description

- Luminaire body made of extruded aluminium alloy (grade 6063) and non corrosive stainless steel fasteners.
- Polycarbonate optical lens.
- Luminaire integrated with 100W LED.
- Suitable for mounting on 76mm / 88.9mm OD pipe, 72mm / 91mm square pipe.
- Cable entries for through-wiring of mains supply cable.
- Integral constant current power supply
- CRI (Ra) :  $\geq 70$
- Prewired with LED driver and suitable for operating on 240V, 50Hz single phase ac supply.
- Ordering guide : KL-4434-CCT (Colour Temperature)
- Available CCT : 2700K, 3000K, 4000K, 5700K.



### Product Benefits

- High luminous efficiency at reduced wattage.
- Functionally versatile, strong and stable.
- Corrosion resistant and Maintenance free.
- Quick installation and low assembly costs.
- Sustainable LED technology offers durability and optimal light output with low power consumption.

### Areas of Application

Illuminating parks, Gardens, Commercial complex, Smaller Roadways, Private driveways, Pathways in Residential buildings & office complex.

### Available Finish

Pure polyester powder coated  
RAL 9004 Signal black  
RAL 9007 Grey aluminium  
RAL 7016 Anthracite grey  
Graphite grey





OPEN SOURCE

**Technical Specifications**

**General**

ID : 4434  
 System Wattage : 100W LED  
 Driver Integral : Constant Current  
 Operating Voltage : 100-265Vac  
 Operating Temperature : -15°C~+50°C

**Physical**

Body : Extruded Aluminium  
 Diffuser : Polycarbonate Optical Lens  
 Mounting : Suitable for mounting on  
 Ø76 / Ø88.9 / □72 / □91  
 Finish : Powder coated  
 RAL 9004 Signal black  
 RAL 9007 Grey aluminium  
 RAL 7016 Anthracite grey  
 Graphite grey

**Light Source**

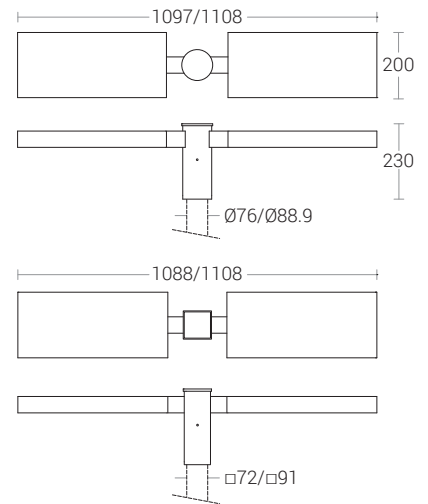
Light Source : LUMILEDS / OSRAM  
 CRI (Ra) : ≥70  
 LED Colour Temperature : 2700K / 3000K / 4000K / 5700K

**Driver**

Power Supply : Integral  
 Input Voltage : 230-240Vac  
 Frequency : 50-60Hz  
 Power Factor : >0.9  
 THD : <10%  
 Surge Protection : 6KV  
 Efficiency : >85%

**Optical Performance**

Light Distribution : Type III



"Dual Spectra" pathway luminaire, is an innovative design options to provide visual integration with the environment. Aesthetically designed sturdy construction ensures a long life against all weather condition, maintaining initial performances through the lifetime of the installation. Product offered asymmetrical light distribution.

### Product Description

- Luminaire body made of extruded aluminium alloy (grade 6063) and non corrosive stainless steel fasteners.
- Polycarbonate optical lens.
- Luminaire integrated with 200W LED.
- Suitable for mounting on 76mm / 88.9mm OD pipe, 72mm / 91mm square pipe.
- Cable entries for through-wiring of mains supply cable.
- Integral constant current power supply
- CRI (Ra) :  $\geq 70$
- Prewired with LED driver and suitable for operating on 240V, 50Hz single phase ac supply.
- Ordering guide : KL-4435-CCT (Colour Temperature)
- Available CCT : 2700K, 3000K, 4000K, 5700K.



### Product Benefits

- High luminous efficiency at reduced wattage.
- Functionally versatile, strong and stable with sound engineering.
- Corrosion resistant and Maintenance free.
- Quick installation and low assembly costs.
- Sustainable LED technology offers durability and optimal light output with low power consumption.

### Areas of Application

Street Lighting, Park Lighting, Expressways, Highways, Courtyards.

### Available Finish

Pure polyester powder coated

RAL 9004 Signal black

RAL 9007 Grey aluminium

RAL 7016 Anthracite grey

Graphite grey





OPEN SOURCE

**Technical Specifications**

**General**

ID : 4435  
 System Wattage : 200W LED  
 Driver Integral : Constant Current  
 Operating Voltage : 100-265Vac  
 Operating Temperature : -15°C~+50°C

**Physical**

Body : Extruded Aluminium  
 Diffuser : Polycarbonate Optical Lens  
 Mounting : Suitable for mounting on  
 Ø76 / Ø88.9 / □72 / □91  
 Finish : Powder coated  
 RAL 9004 Signal black  
 RAL 9007 Grey aluminium  
 RAL 7016 Anthracite grey  
 Graphite grey

**Light Source**

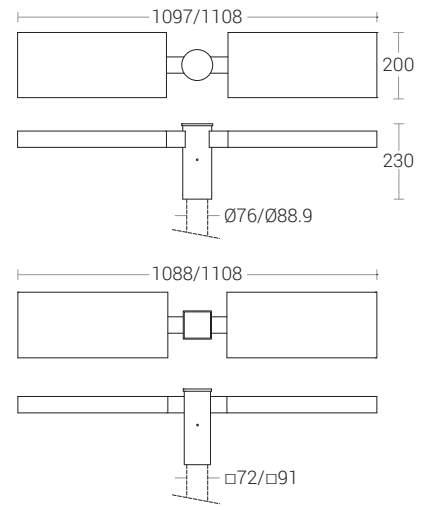
Light Source : LUMILEDS / OSRAM  
 CRI (Ra) : ≥70  
 LED Colour Temperature : 2700K / 3000K / 4000K  
 / 5700K

**Driver**

Power Supply : Integral  
 Input Voltage : 230-240Vac  
 Frequency : 50-60Hz  
 Power Factor : >0.9  
 THD : <10%  
 Surge Protection : 6KV  
 Efficiency : >85%

**Optical Performance**

Light Distribution : Type III



**Note :** It is our constant endeavor to upgrade the performance of our products. For the latest technical information, IES files and product updates please refer to the website at [www.klite.in](http://www.klite.in)