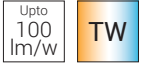


# K-LITE

## Ovi

Power : Upto 20W    Upto 40W    Upto 80W  
Length : 570mm    1085mm    2110mm



### Features

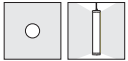
- Lumiled / Equivalent LED's
- CRI Ra>80 (>90 On Request)
- L70 / B10 @ 60,000 Hrs
- Standard suspension kit 1M (2M available on request)

### Options

- CCT : TW 2700K to 5700K



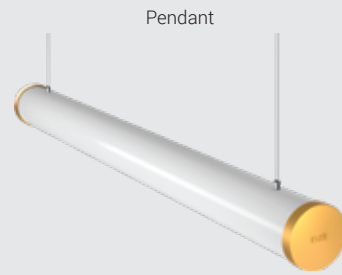
Beam Angle - BA360°



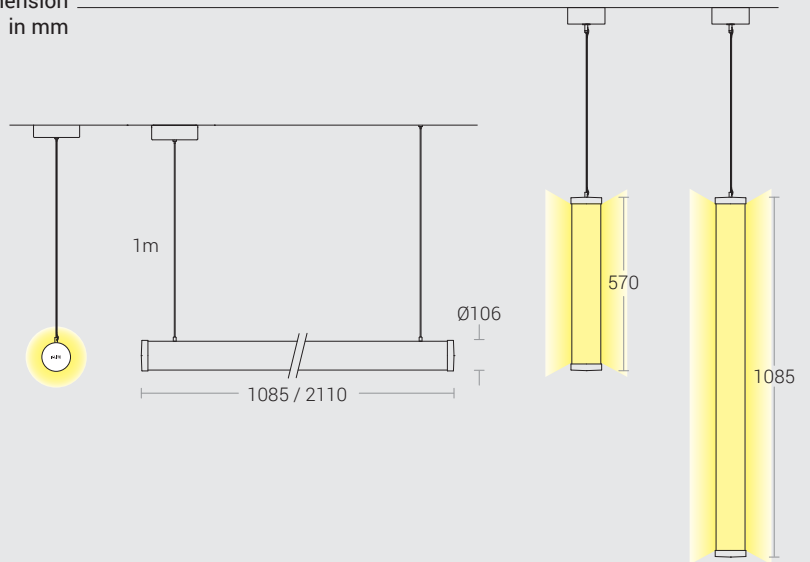
### Accessories



250 x 56 x 34  
Canopy Kit for Control gear



### Dimension in mm



### Housing Colour



Die-cast aluminium Endcaps with powder coated finish in RAL9004 Signal Black fine texture | RAL 9007 Grey aluminium fine texture. Sparkle Gold (Liquid Paint).

Light Distribution refer online



## Technical Specifications

### General

Driver	: Constant Current
Input Voltage	: 220-240Vac
Operating Temperature	: -15°C~+50°C

### Light Source

Light Source	: Lumiled / Equivalent
CRI (Ra)	: >80 (>90 On Request)
LED Colour Temperature	: 2700K / 3000K / 4000K / 5700K

### Optical

Tilt	: Fixed
Beam Angle	: 360°
Diffuser Material	: Opal Polycarbonate
UGR	: <16

### Physical

Body	: Polycarbonate Tube with Die-cast Endcaps
Mounting	: Pendant
Finish	: RAL 9004 Signal black RAL 9007 Grey aluminium Sparkle Gold (Liquid Paint)

### Driver

Power Supply	: Integrated
Power Factor	: >0.95
THD	: <10%
Surge Protection	: 3KV
Efficiency	: >85%



## Ordering Guide

### Pendant

ID	Wattage	Dimension (mm)
3462	Upto 40W	1085 x Ø106
3462	Upto 80W	2110 x Ø106

### Pendant - Vertical

ID	Wattage	Dimension (mm)
3462	Upto 20W	570 x Ø106
3462	Upto 40W	1085 x Ø106