

TRIO

Soft Light

Geometry of a triad and appearance of soft light.
Easy to install and adjust.

Emitting light both up to the ceiling and down to the work station. It supplies homogenous glare-free light and maximum level of visual comfort. It is a new favorite of modern simple yet stylish office lighting.

K-LITE

TRIO

Power : Upto 40W Upto 80W
 Length: 1200mm 2395mm

Upto
100
lm/w

Features

- Bridgelux / Equivalent LED's
- CRI Ra>80 (>90 On Request)
- SDCM ≤ 3
- L70 / B10 @ 60,000 Hrs
- Standard suspension kit 1M



Options

- CCT : 3000K / 4000K / 5700K
- Driver options



Beam Angle

BA120°
Diffused

Accessories



Canopy Kit for Control gear

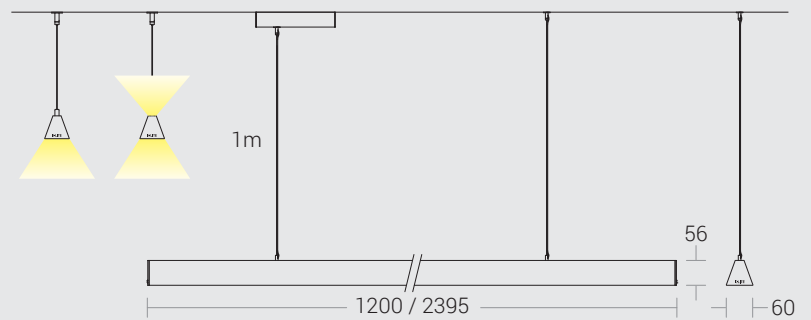
PENDANT
DIRECT



PENDANT
DIRECT / INDIRECT



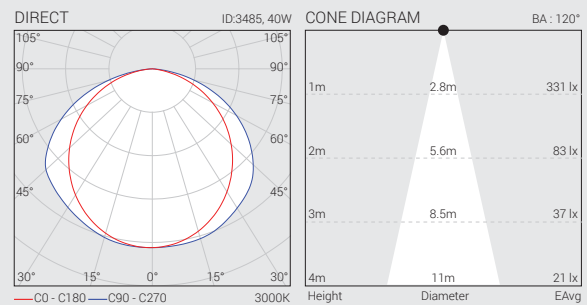
Dimension in mm

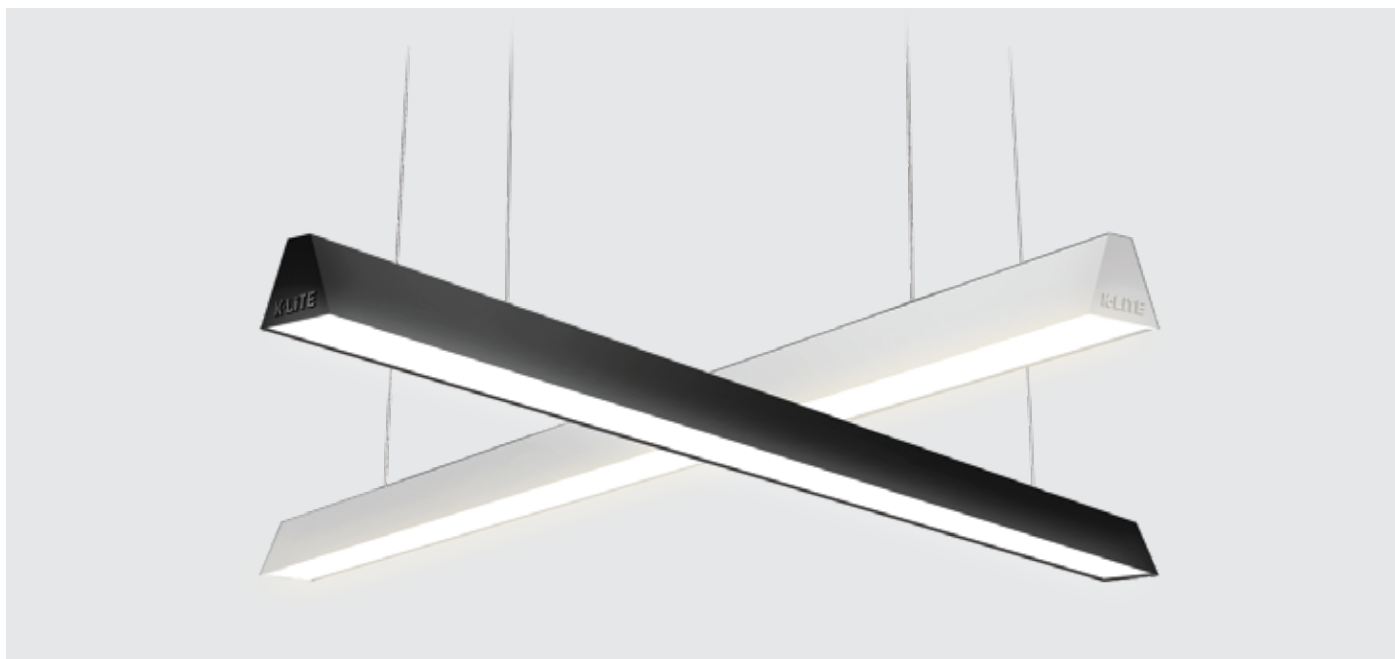


Housing Colour

- Extruded aluminium with powder coated finish in RAL9005 Black fine texture | RAL9016 White fine texture | RAL9006 Grey fine texture

Light Distribution





Technical Specifications

General

Driver	: Constant Current
Input Voltage	: 220-240Vac
Operating Temperature	: -15°C~+50°C

Light Source

Light Source	: Bridgelux / Equivalent
CRI (Ra)	: >80 (>90 On Request)
LED Colour Temperature	: 3000K / 4000K / 5700K

Optical

Tilt	: Fixed
Beam Angle	: 120°
Diffuser Material	: Polycarbonate
Diffuser Finish	: Opal
UGR	: <19

Physical

Body	: Extruded Aluminium with Die-cast Endcaps
Mounting	: Pendant
Finish	: Black(RAL9005) White(RAL9016) Grey (RAL 9006)

Driver

Power Supply	: Integrated
Power Factor	: >0.90
THD	: <10%
Surge Protection	: 2KV-3KV
Efficiency	: >85%



Ordering Guide

Pendant - Direct

ID	Wattage	Dimension (mm)
3485	Upto 40W	1200 x 60 x 56
3486	Upto 80W	2395 x 60 x 56

Pendant - Direct-Indirect

ID	Wattage	Dimension (mm)
3434	Upto 40W & 15W	1200 x 60 x 56
3441	Upto 80W & 30W	2395 x 60 x 56