

K-LITE

Arc

Power : Upto 40W Upto 80W Upto 120W
Length : 1188mm 2364mm 3540mm



Features

- Nichia LED's
- CRI Ra>80 (>90 On Request)
- L70 / B10 @ 60,000 Hrs
- Standard suspension kit 1M (2M available on request)

Options

- CCT : TW 2700K to 5700K



Beam Angle



Accessories



250 x 56 x 34
Canopy Kit for Control gear

K-LITE

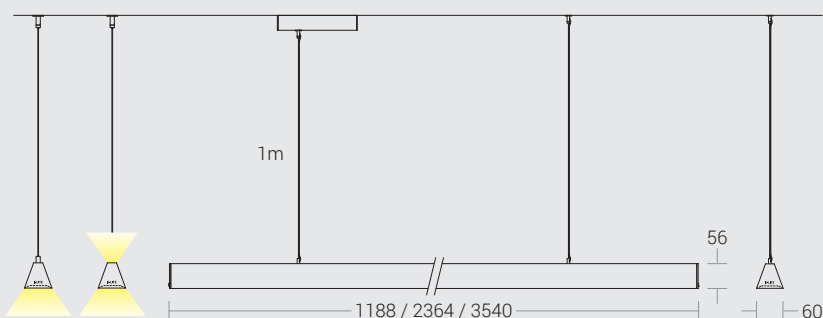
Pendant Direct



Pendant Direct / Indirect



Dimension in mm



Housing Colour



Extruded aluminium with powder coated finish in
RAL9004 Signal Black fine texture | RAL9016 Traffic White fine texture |
RAL 9007 Grey aluminium fine texture

Light Distribution refer online



D01 - Hexa-Cell



Technical Specifications

General

Driver	: Constant Current
Input Voltage	: 220-240Vac
Operating Temperature	: -15°C~+50°C

Light Source

Light Source	: Nichia
CRI (Ra)	: >80 (>90 On Request)
LED Colour Temperature	: 2700K / 3000K / 4000K 5700K

Optical

Efficiency	: >90%
Tilt	: Fixed
Beam Angle	: 50°
Diffuser/Lens Material	: Polycarbonate
Secondary Reflector	: Hexa-Cell (Matte Black)
UGR	: <14

Physical

Body	: Extruded Aluminium with Die-cast Endcaps
Mounting	: Pendant
Finish	: RAL 9004 Signal black RAL 9016 Traffic White RAL 9007 Grey aluminium

Driver

Power Supply	: Integrated
Power Factor	: >0.95
THD	: <10%
Surge Protection	: Upto 3KV
Efficiency	: >85%



Ordering Guide

Pendant - Direct

ID	Wattage	Dimension (mm)
3477	Upto 40W	1188 x 60 x 56
3477	Upto 80W	2364 x 60 x 56
3477	Upto 120W	3540 x 60 x 56

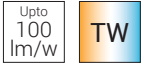
Pendant - Direct-Indirect

ID	Wattage	Dimension (mm)
3477	Upto 40W & 15W	1188 x 60 x 56
3477	Upto 80W & 30W	2364 x 60 x 56
3477	Upto 120W & 45W	3540 x 60 x 56

K-LITE

Arc

Power : Upto 40W Upto 80W Upto 120W
 Length : 1200mm 2395mm 3585mm



Features

- Bridgelux / Equivalent LED's
- CRI Ra>80 (>90 On Request)
- L70 / B10 @ 60,000 Hrs
- Standard suspension kit 1M (2M available on request)

Options

- CCT : TW 2700K to 5700K
- Driver options



Beam Angle



Accessories



250 x 56 x 34

Canopy Kit for Control gear

K-LITE

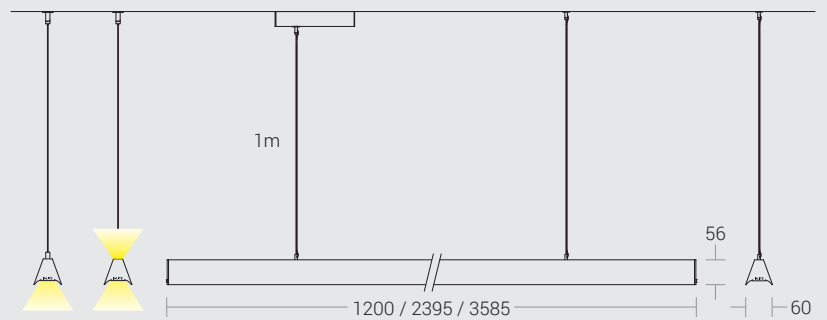
Pendant Direct



Pendant Direct / Indirect



Dimension in mm

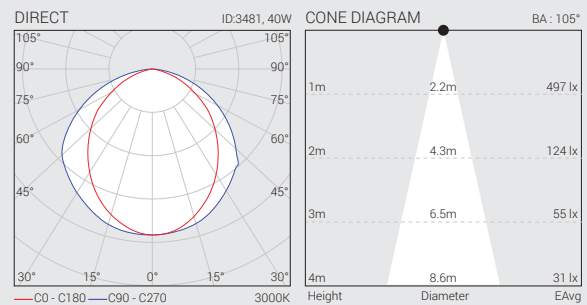


Housing Colour

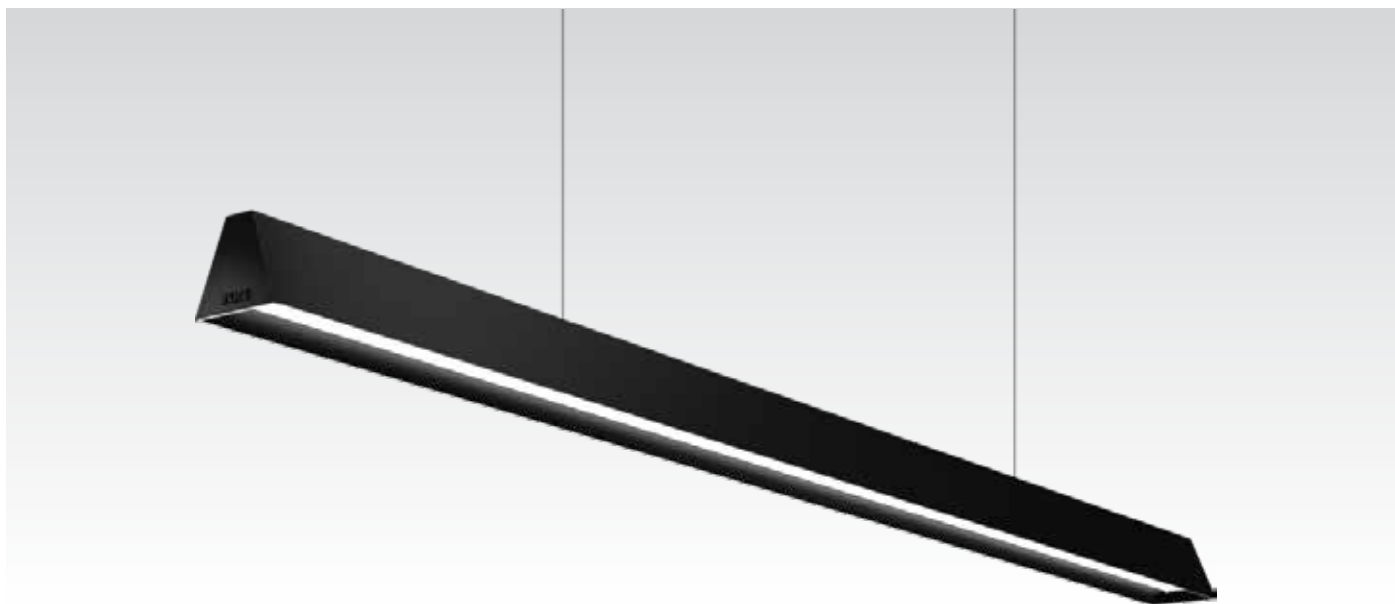


Extruded aluminium with powder coated finish in
 RAL9004 Signal Black fine texture | RAL9016 Traffic White fine texture |
 RAL 9007 Grey aluminium fine texture

Light Distribution



D06 - PC Opal



Technical Specifications

General

Driver	: Constant Current
Input Voltage	: 220-240Vac
Operating Temperature	: -15°C~+50°C

Light Source

Light Source	: Bridgelux / Equivalent
CRI (Ra)	: >80 (>90 On Request)
LED Colour Temperature	: 2700K / 3000K / 4000K / 5700K

Optical

Tilt	: Fixed
Beam Angle	: 105°
Diffuser Material	: Polycarbonate
Diffuser Finish	: Opal
UGR	: <19

Physical

Body	: Extruded Aluminium with Die-cast Endcaps
Mounting	: Pendant
Finish	: RAL 9004 Signal black RAL 9016 Traffic White RAL 9007 Grey aluminium

Driver

Power Supply	: Integrated
Power Factor	: >0.95
THD	: <10%
Surge Protection	: 2KV-3KV
Efficiency	: >85%



Ordering Guide

Pendant - Direct

ID	Wattage	Dimension (mm)
3477	Upto 40W	1200 x 60 x 56
3477	Upto 80W	2395 x 60 x 56
3477	Upto 120W	3585 x 60 x 56

Pendant - Direct-Indirect

ID	Wattage	Dimension (mm)
3477	Upto 40W & 15W	1200 x 60 x 56
3477	Upto 80W & 30W	2395 x 60 x 56
3477	Upto 120W & 45W	3585 x 60 x 56