

LED compact spot light luminaires designed to provide directional light. The luminaire comes with a connecting cable and an earth spike for portable installation or bracket for permanent installation on a wall, under a ceiling or on a column.

Product Description

- Luminaire made of pressure die cast aluminium alloy of high corrosion resistance and non corrosive stainless steel fasteners.
- Clear toughened glass.
- Mounting earth spike or die-cast bracket arrangement to facilitate easy installation at any desired location.
- Swivel range of 0°-90°.
- Luminaire supplied with 0.5 metre cable length and a IP67 connector.
- Silicone gasket.
- Constant voltage non integral power supply.
- CRI (Ra) : ≥80
- Low Voltage at 24Vdc assures safety.
- Ordering guide : KL-7052-CCT (Colour Temperature)
- Available CCT : 2700K, 3000K, 4000K, 5700K



Product Benefits

- Sturdy construction in order to maintain performance of the luminaire and to reduce maintenance costs.
- Quick & simple installation.
- Clear glass in the front with continuous rubber gasket to ensure adequate sealing against ingress of moisture, dust, insects etc.,
- Sustainable LED technology offers durability and optimal light output with low power consumption.

Areas of Application

Pathways, Parks, Sculptures, Gardens, Structures and Landscape lighting.

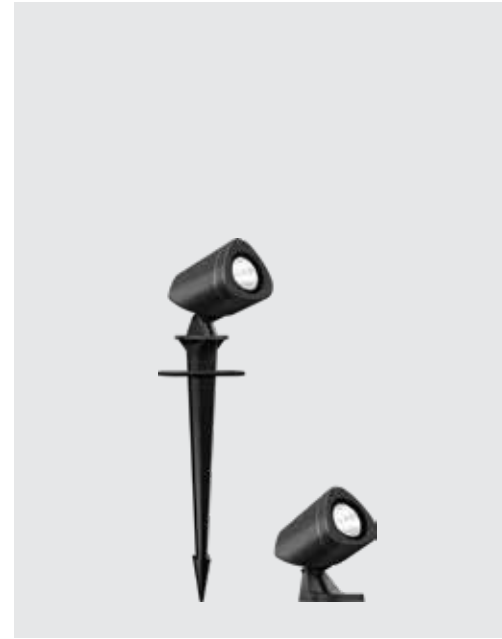
Available Finish

Pure polyester powder coated
RAL 9004 Signal black
RAL 9007 Grey aluminium
RAL 7016 Anthracite grey
Graphite grey





TABLET INDIA RESIDENCE, BOAR CLUB, CHENNAI



Technical Specifications

General

ID : 7052 / 7057
 System Wattage : 6W LED
 Driver Non-Integral : Constant Voltage
 Operating Voltage : 24Vdc
 Operating Temperature : -15°C~+50°C

Light Source

Light Source : LUMILED / OSRAM
 CRI (Ra) : ≥80
 LED Colour Temperature : 2700K / 3000K / 4000K / 5700K

Physical

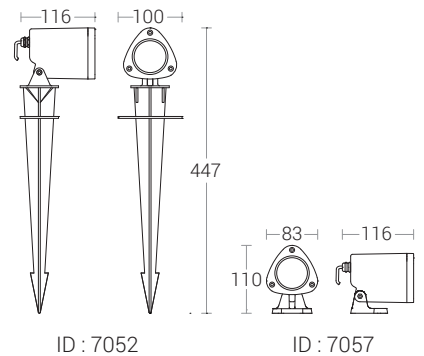
Body : Die-cast Aluminium Alloy
 Diffuser : Clear Toughened Glass
 Mounting : Spike / Die-cast Aluminium Bracket
 Finish : Powder coated
 RAL 9004 Signal black
 RAL 9007 Grey aluminium
 RAL 7016 Anthracite grey
 Graphite grey

Driver

Power Supply : Non-Integral

Optical Performance

Beam Angle : 15° / 25° / 40°



Note : It is our constant endeavor to upgrade the performance of our products. For the latest technical information, IES files and product updates please refer to the website at www.klite.in

LED compact spot light luminaires designed to provide directional light. The luminaire comes with a connecting cable and an earth spike for portable installation or bracket for permanent installation on a wall, under a ceiling or on a column.

Product Description

- Luminaire made of pressure die cast aluminium alloy of high corrosion resistance and non corrosive stainless steel fasteners.
- Clear toughened glass.
- Mounting earth spike or die-cast bracket arrangement to facilitate easy installation at any desired location.
- Swivel range of 0°-90°.
- Luminaire supplied with 0.5 metre cable length and a IP67 connector.
- Silicone gasket.
- Cable entries for through-wiring of mains supply cable.
- Integral constant current power supply
- CRI (Ra) : ≥80
- Prewired with LED driver and suitable for operating on 240V, 50Hz single phase ac supply.
- Ordering guide : KL-7052-CCT (Colour Temperature)
- Available CCT : 2700K, 3000K, 4000K, 5700K



Product Benefits

- Sturdy construction in order to maintain performance of the luminaire and to reduce maintenance costs.
- Quick & simple installation.
- Clear glass in the front with continuous rubber gasket to ensure adequate sealing against ingress of moisture, dust, insects etc.,
- Sustainable LED technology offers durability and optimal light output with low power consumption.

Areas of Application

Pathways, Parks, Sculptures, Gardens, Structures and Landscape lighting.

Available Finish

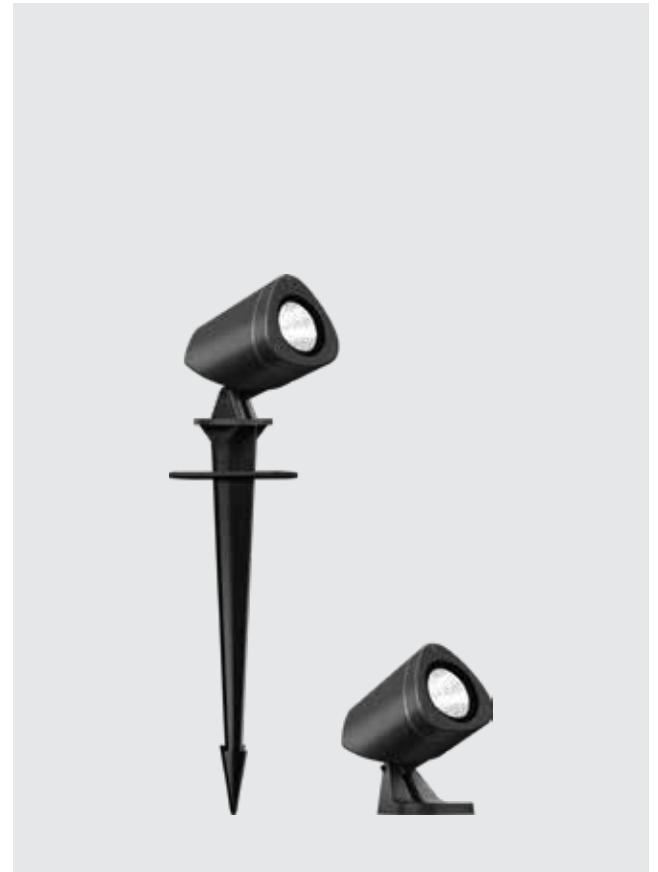
Pure polyester powder coated

RAL 9004 Signal black

RAL 9007 Grey aluminium

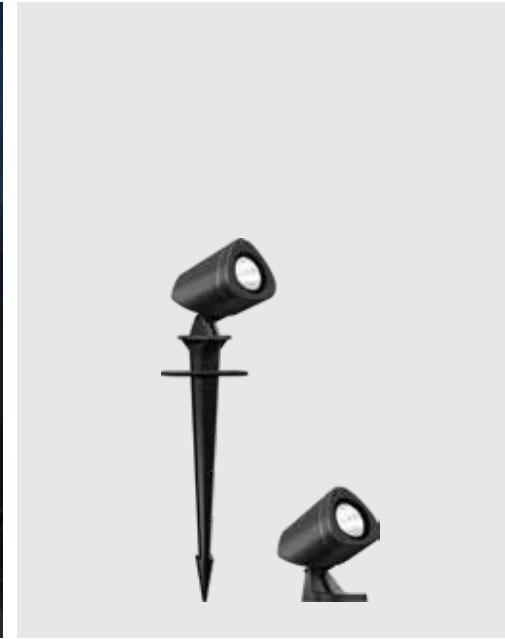
RAL 7016 Anthracite grey

Graphite grey





TABLET INDIA RESIDENCE, BOAR CLUB, CHENNAI



Technical Specifications

General

ID : 7052 / 7057
 System Wattage : 6W LED
 Driver Integral : Constant Current
 Operating Voltage : 100-240Vac
 Operating Temperature : -15°C~+50°C

Light Source

Light Source : LUMILED / OSRAM
 CRI (Ra) : ≥80
 LED Colour Temperature : 2700K / 3000K / 4000K / 5700K

Physical

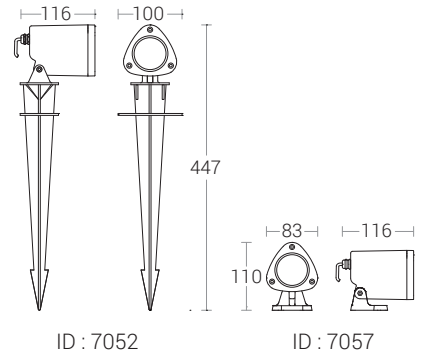
Body : Die-cast Aluminium Alloy
 Diffuser : Clear Toughened Glass
 Mounting : Spike / Die-cast Aluminium Bracket
 Finish : Powder coated
 RAL 9004 Signal black
 RAL 9007 Grey aluminium
 RAL 7016 Anthracite grey
 Graphite grey

Driver

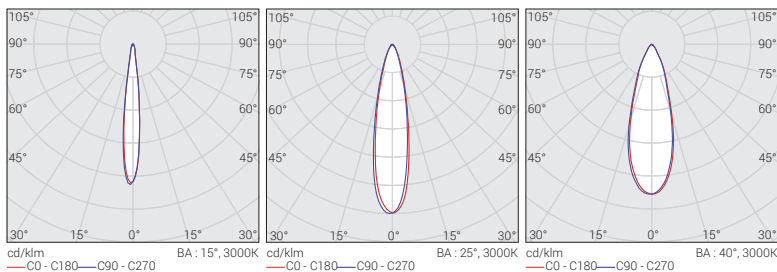
Power Supply : Integral
 Input Voltage : 230-240Vac
 Frequency : 50-60 Hz

Optical Performance

Beam Angle : 15° / 25° / 40°



Photometric Data



Note : It is our constant endeavor to upgrade the performance of our products. For the latest technical information, IES files and product updates please refer to the website at www.klite.in