

LED compact spot light luminaires designed to provide directional light. The luminaires comes with a connecting cable and an earth spike for portable installation or bracket for permanent installation on a wall, under a ceiling or on a column.

### Product Description

- Luminaire made of pressure die cast aluminium alloy of high corrosion resistance and non corrosive stainless steel fasteners.
- Clear toughened glass.
- Mounting earth spike or die-cast aluminium bracket arrangement to facilitate easy installation at any desired location.
- Swivel range of 0°-90°.
- Luminaire supplied with 0.5 metre cable length and a IP67 connector.
- Silicone gasket.
- Cable entries for through-wiring of mains supply cable.
- Integral constant current power supply
- CRI (Ra) : ≥80 (>90 - On Request)
- Prewired with LED driver and suitable for operating on 240V, 50Hz single phase ac supply.
- Ordering guide : KL-4268-CCT (Colour Temperature)
- Available CCT : 3000K, 4000K (CW on request)



### Product Benefits

- Sturdy construction in order to maintain performance of the luminaire and to reduce maintenance costs.
- Quick & simple installation.
- Clear glass in the front with continuous rubber gasket to ensure adequate sealing against ingress of moisture, dust, insects etc.,
- Sustainable LED technology offers durability and optimal light output with low power consumption.

### Areas of Application

Pathways, Parks, Sculptures, Gardens, Structures and Landscape lighting.

### Available Finish

Pure polyester powder coated

- Graphite grey
- Anthracite grey
- Jet black

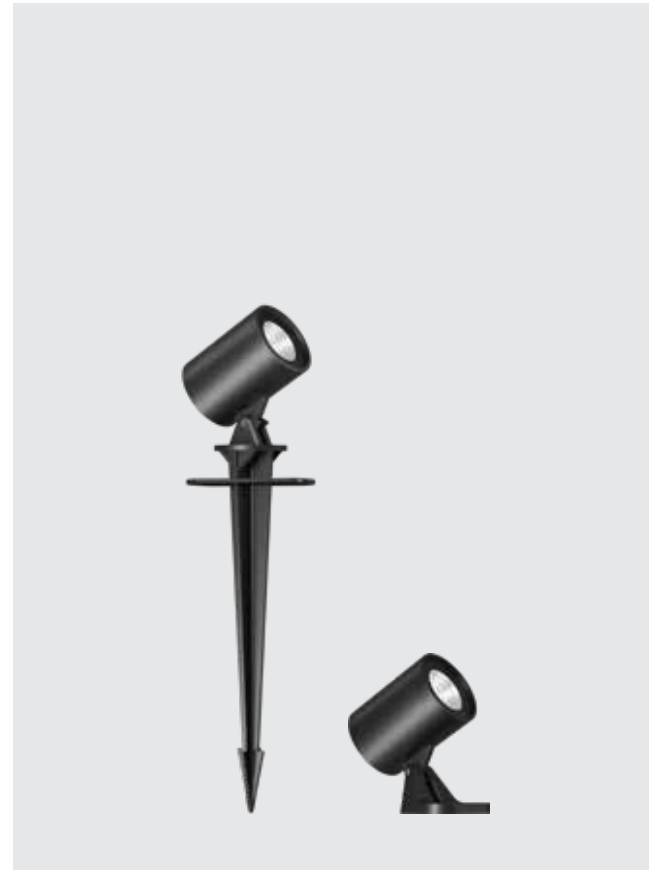
### Accessory

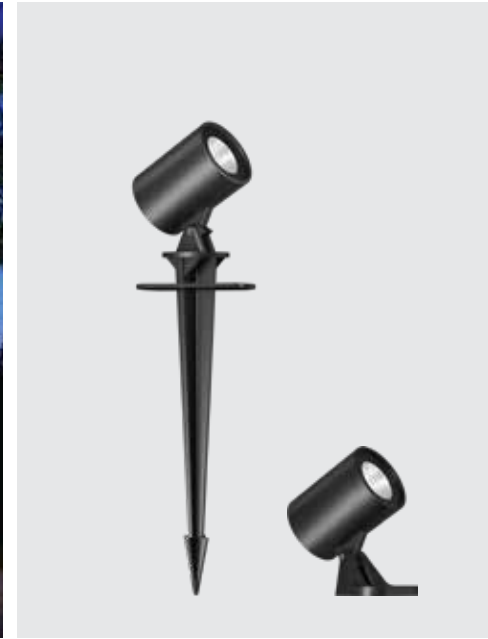


Anti-Glare  
Visor

Spill Control  
Snoot

Honey Comb  
Louvre





**Technical Specifications**

**General**

ID	: 4267 / 4268
System Wattage	: 12W LED
Driver Integral	: Constant Current
Input Voltage	: 230-240Vac
Frequency	: 50-60 Hz
Operating Voltage	: 100-277Vac
Operating Temperature	: -15°C~+50°C

**Physical**

Body	: Die-cast Aluminium Alloy
Diffuser	: Clear Toughened Glass
Mounting	: Spike / Die-cast Aluminium Bracket
Finish	: Graphite Grey Anthracite Grey Jet Black

**Light Source**

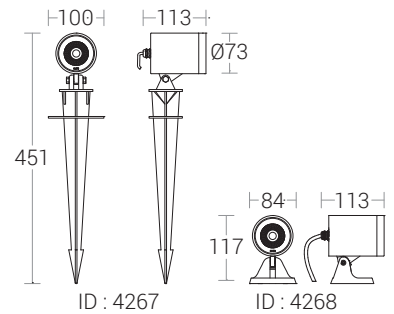
Light Source	: CITIZEN
LED Lumens	: 1460 lm
CRI (Ra)	: >80
LED Colour Temperature	: 3000K / 4000K

**Driver**

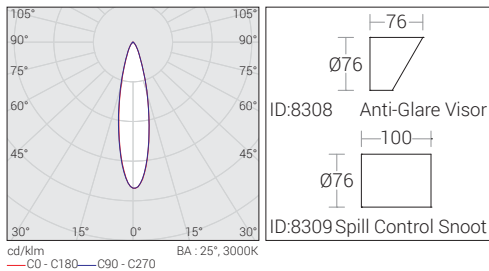
Power Supply	: Integral
Power Factor	: >0.95
THD	: <10%
Surge Protection	: 2.5KV
Efficiency	: >85%

**Optical Performance**

Colour Temperature	: 3000K / 4000K
Luminous flux	: 1087 lm / 1054 lm for 25°
Beam Angle	: 15° / 25° / 40°

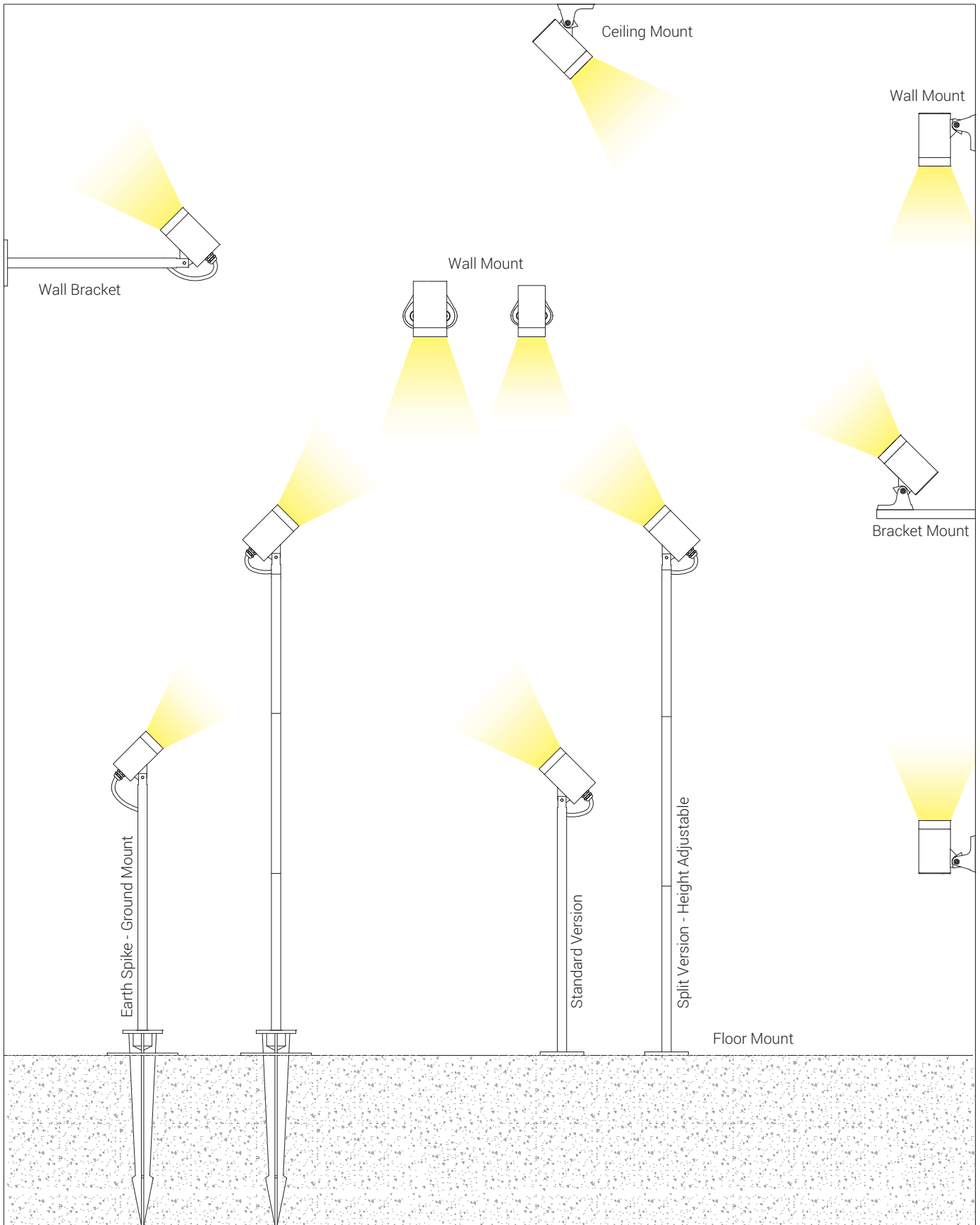


**Photometric Data**



# INSTALLATION OPTIONS

**K-LITE**



# ACCESSORIES

## ANTI-GLARE VISOR



8295	Nebula Micro	Ø45x58
8306	Nebula Mini	Ø55x64
8308	Nebula Midi	Ø76x76
8310	Nebula	Ø100x79

The Push-on visor can be installed by 360° and prevents lateral glare from one direction up to 45°. The cylindrical screen has a number of openings in it that allows water to flow out if it is fixed pointing upwards.

## SPILL CONTROL SNOOT



8296	Nebula Micro	Ø45x75
8307	Nebula Mini	Ø55x85
8309	Nebula Midi	Ø76x100
8323	Nebula	Ø100x125

Push-on snoot for the lateral shielding of stray light. The cylindrical screen has a number of openings in it that allows water to flow out if it is fixed pointing upwards.

## HONEY COMB LOUVRE - GLARE CUT-OFF

The Internal louvre prevents a lateral glare from all directions up to 45°.



8333	Nebula Micro / Nebula Mini
8334	Nebula Midi
8335	Nebula

## MOUNTING

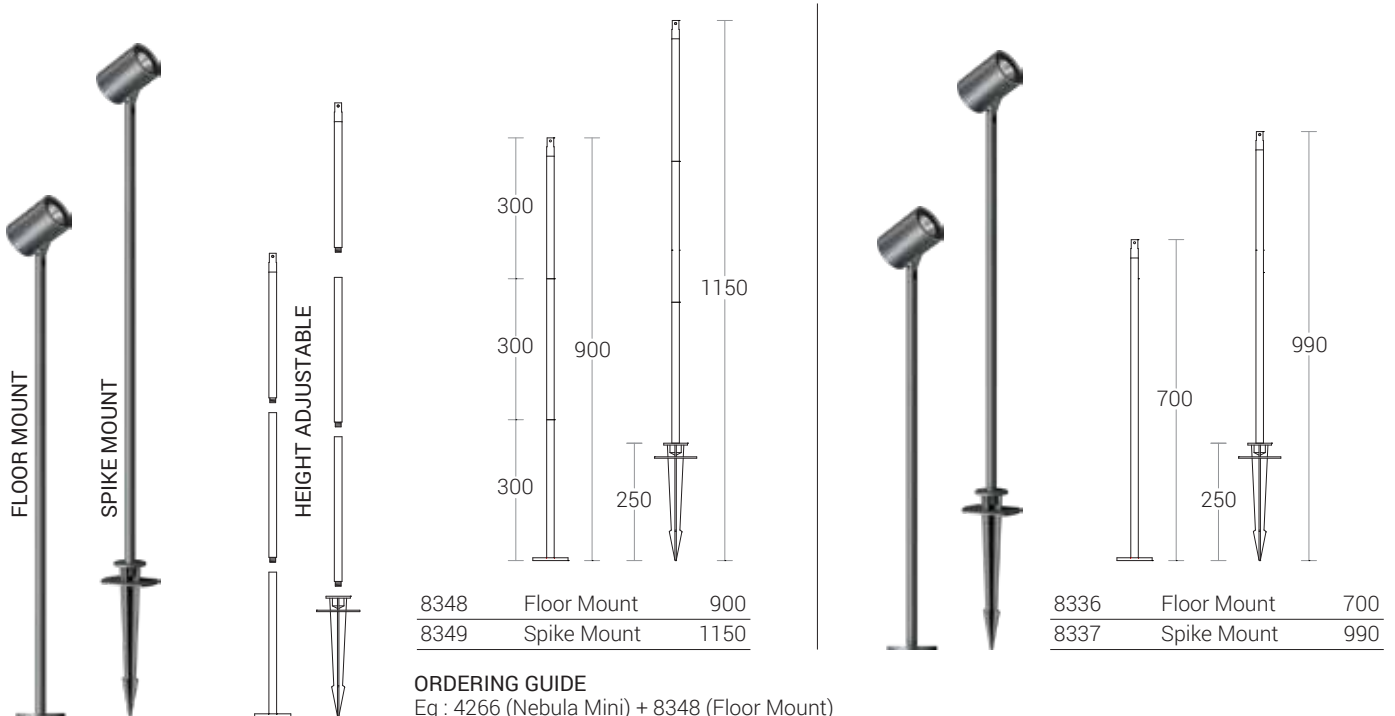
### TREE STRAP



8275 1 metre

## SPLIT VERSION

## STANDARD VERSION



8348	Floor Mount	900
8349	Spike Mount	1150

8336	Floor Mount	700
8337	Spike Mount	990

### ORDERING GUIDE

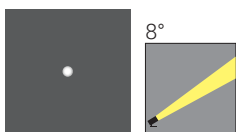
Eg : 4266 (Nebula Mini) + 8348 (Floor Mount)

Bracket will not be added when you ordering with Floor Mount / Spike Mount

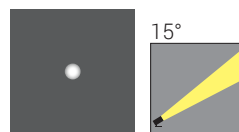
### Suitable for

Nebula Micro / Nebula Mini / Nebula Midi

## OPTICS



Nebula Nano / Micro  
BA 8°/12°/24°/40°/60°/40°x11°



Nebula Mini / Nebula Midi / Nebula  
15°/25°/40°

