

"Genesis" is an innovative design options to provide visual integration with the environment. Aesthetically designed sturdy construction ensures a long life against all weather condition, maintaining initial performances through the lifetime of the installation.

### Product Description

- The luminaire body made of die-cast aluminium alloy with decorative embellishment.
- Translucent acrylic diffuser formed from non-yellowing acrylic sheet.
- The lamp compartment encased inside the top portion and the bottom portion of supporting arms attached to a cast aluminium base.
- Suitable for mounting on 60mm OD pipe.
- Cable entries for through-wiring of mains supply cable
- Prewired with E27 holder and suitable for operating on 240V, 50Hz single phase ac supply.



### Product Benefits

- Elegance, Functionality.
- Moisture proof, insect free.
- The diffuser contributes to the creation of ambiance and to visual comfort by reducing glare.
- Low maintenance cost.

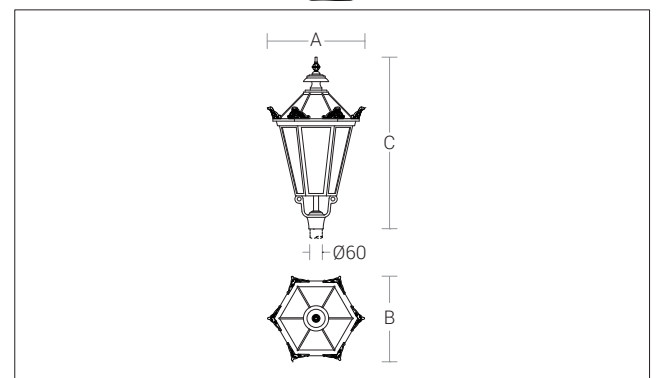
### Area of Application

Illuminating parks, Gardens, commercial complex, Residential roadways, Walkways, Streetscapes & office complex.

### Available Finish

Pure polyester powder coated

- Graphite grey
- Anthracite grey
- Jet black



ID	Wattage	A	B	C
5435	E27	Ø480	417	850

Max. Wattage E27 : 30W LED / 45W CFLE

"Genesis" is an innovative design options to provide visual integration with the environment. Aesthetically designed sturdy construction ensures a long life against all weather condition, maintaining initial performances through the lifetime of the installation.

### Product Description

- The luminaire body made of die-cast aluminium alloy with decorative embellishment.
- Translucent acrylic diffuser formed from non-yellowing acrylic sheet.
- The lamp along with driver is housed inside the top portion and the bottom portion of supporting arms attached to a cast aluminium base.
- Luminaire integrated with 45W LED.
- Suitable for mounting on 60mm OD pipe.
- Cable entries for through-wiring of mains supply cable
- Integral constant current power supply
- Prewired with LED driver and suitable for operating on 240V, 50Hz single phase ac supply.
- Ordering guide : KL-5436-CCT (Colour Temperature)
- Available CCT : 3000K, 4000K, 5700K



### Product Benefits

- High luminous efficiency at reduced wattage.
- Elegance, Functionality.
- Environmental friendly.
- Corrosion resistant and Maintenance free.
- Quick installation and low assembly costs.
- Sustainable LED technology offers durability and optimal light output with low power consumption.

### Area of Application

Illuminating parks, Gardens, commercial complex, Residential roadways, Walkways, Streetscapes & Office complex.

### Available Finish

Pure polyester powder coated

- Graphite grey
- Anthracite grey
- Jet black





**Technical Specifications**

**General**

ID	: 5436
System Wattage	: 45W LED
Driver Integral	: Constant Current
Input Voltage	: 230-240Vac
Frequency	: 50-60Hz
Operating Voltage	: 100-277Vac
Operating Temperature	: -15°C~+50°C

**Physical**

Body	: Die cast Aluminium Alloy
Diffuser	: Translucent Acrylic
Mounting	: Suitable for Ø60mm OD Pipe
Finish	: Powder coated Jet black / Graphite grey Anthracite grey

**Light Source**

Light Source	: NICHIA
LED Lumens	: 6750 lm
CRI (Ra)	: >80
LED Colour Temperature	: 3000K / 4000K / 5700K

**Driver**

Power Supply	: Integral
Power Factor	: >0.9
THD	: <10%
Surge Protection	: 6KV
Efficiency	: >85%

**Optical Performance**

Light Distribution	: Symmetrical
--------------------	---------------

