

A modern heritage post top luminaire upgraded with high performance light engines. Aesthetically designed sturdy construction ensures a long life against all weather condition, maintaining initial performances through the lifetime of the installation. Designed for highest efficiency in terms of more lumens at reduced wattages. Product offered in symmetrical light distribution.

### Product Description

- The luminaire housing made of spun aluminium top cover and die cast aluminium bottom cover with supporting arm.
- The module along with driver is housed inside and covered with diffuser.
- Non yellowing UV stabilized translucent acrylic diffuser.
- Luminaire integrated with 50W LED.
- Die cast aluminium mounting base.
- Suitable for mounting on 50mm OD pipe.
- Cable entries for through-wiring of mains supply cable.
- Integral constant current power supply
- CRI ( Ra) :  $\geq 80$
- Prewired with LED driver and suitable for operating on 240V, 50Hz single phase ac supply.
- Ordering guide : KL-4502-CCT (Colour Temperature)
- Available CCT : 2700K, 4000K, 5700K



### Product Benefits

- High luminous efficiency at reduced wattage.
- Elegance, Functionality.
- Environmental friendly, moisture proof, insect free.
- Dark sky compliant protects pedestrians from glare, in addition to preventing spill light above the horizontal plane.
- Sustainable LED technology offers durability and optimal light output with low power consumption.

### Area of Application

Illuminating parks, Gardens, Commercial complex, Residential roadways, Walkways, Streetscapes & office complex.

### Available Finish

Pure polyester powder coated

- Graphite grey
- Anthracite grey
- Jet black





**Technical Specifications**

**General**

ID	: 4502
System Wattage	: 50W LED
Driver Integral	: Constant Current
Input Voltage	: 230-240Vac
Frequency	: 50-60 Hz
Operating Voltage	: 100-277Vac
Operating Temperature	: -15°C~+50°C

**Physical**

Body	: Aluminium
Diffuser	: Translucent acrylic
Mounting	: Suitable for Ø50mm OD Pipe
Finish	: Powder Coated Graphite Grey / Jet Black Anthracite Grey

**Light Source**

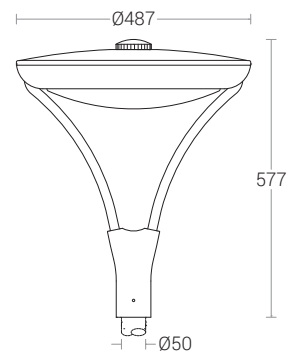
Light Source	: BRIDGELUX
CRI (Ra)	: >80
LED Colour Temperature	: 2700K / 4000K / 5700K

**Driver**

Power Supply	: Integral
Power Factor	: >0.95
THD	: <10%
Surge Protection	: 6KV
Efficiency	: >88%

**Optical Performance**

Light Distribution	: Symmetrical
--------------------	---------------



A modern heritage post top luminaire upgraded with high performance light engines. Aesthetically designed sturdy construction ensures a long life against all weather condition, maintaining initial performances through the lifetime of the installation. Designed for highest efficiency in terms of more lumens at reduced wattages. Product offered in asymmetrical light distribution.

### Product Description

- The luminaire housing made of spun aluminium top cover and die cast aluminium bottom cover with supporting arm.
- The module along with driver is housed inside and covered with diffuser.
- Non yellowing UV stabilized clear acrylic diffuser.
- Luminaire integrated with 50W / 100W LED.
- Die cast aluminium mounting base.
- Suitable for mounting on 50mm OD pipe.
- Cable entries for through-wiring of mains supply cable.
- Integral constant current power supply
- CRI ( Ra) :  $\geq 70$
- Prewired with LED driver and suitable for operating on 240V, 50Hz single phase ac supply.
- Ordering guide : KL-5384-CCT (Colour Temperature)
- Available CCT : 3000K, 4000K, 5700K



### Product Benefits

- High luminous efficiency at reduced wattage.
- Elegance, Functionality.
- Environmental friendly, moisture proof, insect free.
- Dark sky compliant protects pedestrians from glare, in addition to preventing spill light above the horizontal plane.
- Sustainable LED technology offers durability and optimal light output with low power consumption.

### Area of Application

Illuminating parks, Gardens, Commercial complex, Residential roadways, Walkways, Streetscapes & office complex.

### Available Finish

Pure polyester powder coated

- Graphite grey
- Anthracite grey
- Jet black





**Technical Specifications**

**General**

ID : 5384 / 4503  
 System Wattage : 50W / 100W LED  
 Driver Integral : Constant Current  
 Input Voltage : 230-240Vac  
 Frequency : 50-60 Hz  
 Operating Voltage : 100-277Vac  
 Operating Temperature : -15°C~+50°C

**Physical**

Body : Aluminium  
 Diffuser : Clear acrylic  
 Mounting : Suitable for Ø50mm OD Pipe  
 Finish : Powder Coated  
 Graphite Grey / Jet Black  
 Anthracite Grey

**Light Source**

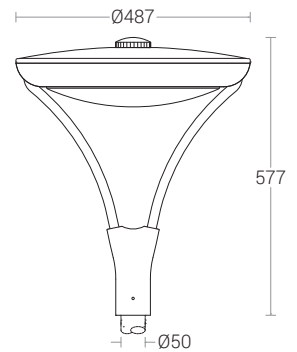
Light Source : OSRAM / LUMILEDS  
 CRI (Ra) : >70  
 LED Colour Temperature : 3000K / 4000K / 5700K

**Driver**

Power Supply : Integral  
 Power Factor : >0.95  
 THD : <10%  
 Surge Protection : 6KV  
 Efficiency : >88%

**Optical Performance**

Light Distribution : Type IV



**Note :** It is our constant endeavor to upgrade the performance of our products. For the latest technical information, IES files and product updates please refer to the website at [www.klite.in](http://www.klite.in)