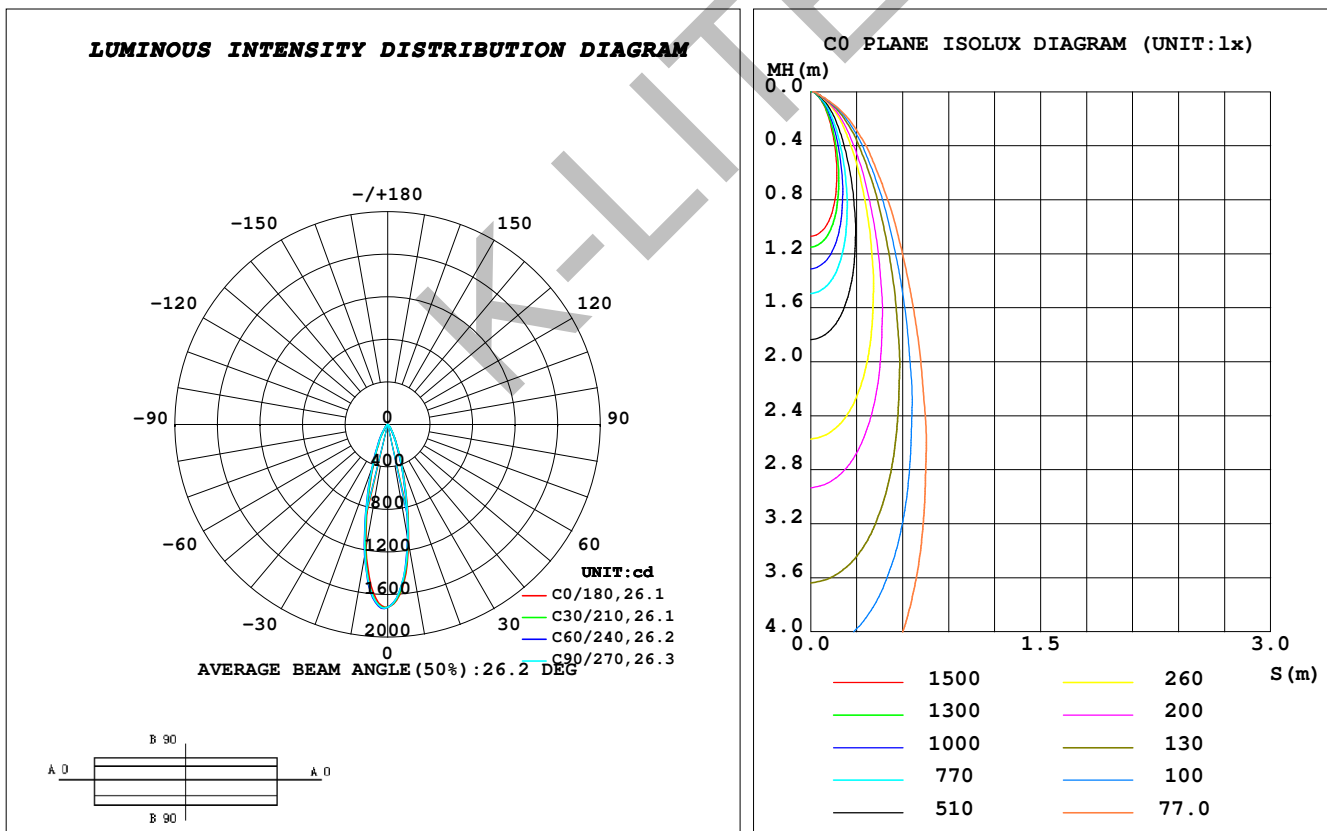


LUMINAIRE PHOTOMETRIC TEST REPORT

Test:U:220.53V I:0.0309A P:6.5122W PF:0.9570 Freq:49.99Hz Lamp Flux:935.37x1 lm		
NAME: WALL CYLIN MINI	TYPE:WALL LUMINAIRES	WEIGHT:
SPEC.:NW, CITIZEN	DIM.: 145 x 100 x 150	SERIAL No.:2197
MFR.: K-LITE	SUR.:	Shielding Angle:25°

DATA OF LAMP		PHOTOMETRIC DATA			
MODEL	KL-7897	Imax (cd)	1731	S/MH (C0/180)	0.45
NOMINAL POWER (W)	6	LOR (%)	53.0	S/MH (C90/270)	0.47
RATED VOLTAGE (V)	230	TOTAL FLUX (lm)	495.50	η UP, DN (C0-180)	0.0, 25.2
NOMINAL FLUX (lm)	935.37	CIE CLASS	DIRECT	η UP, DN (C180-360)	0.0, 27.8
LAMPS INSIDE	1	η up (%)	0.0	CIBSE SHR NOM	0.00
TEST VOLTAGE (V)	230	η down (%)	53.0	CIBSE SHR MAX	1.00



C Range: 0 - 360DEG
C Interval: 10.0DEG
Test Speed: HIGH
Temperature: 25.3DEG
Operators: K-LITE
Test Date: 29 October 2020

γ Range: 0 - 90DEG
γ Interval: 1.0DEG
Test System: EVERFINE GO-R5000_V2 SYSTEM V2.00.417
Humidity: 65.0%
Test Distance: 1.825m [K=1.0000]
Remarks: