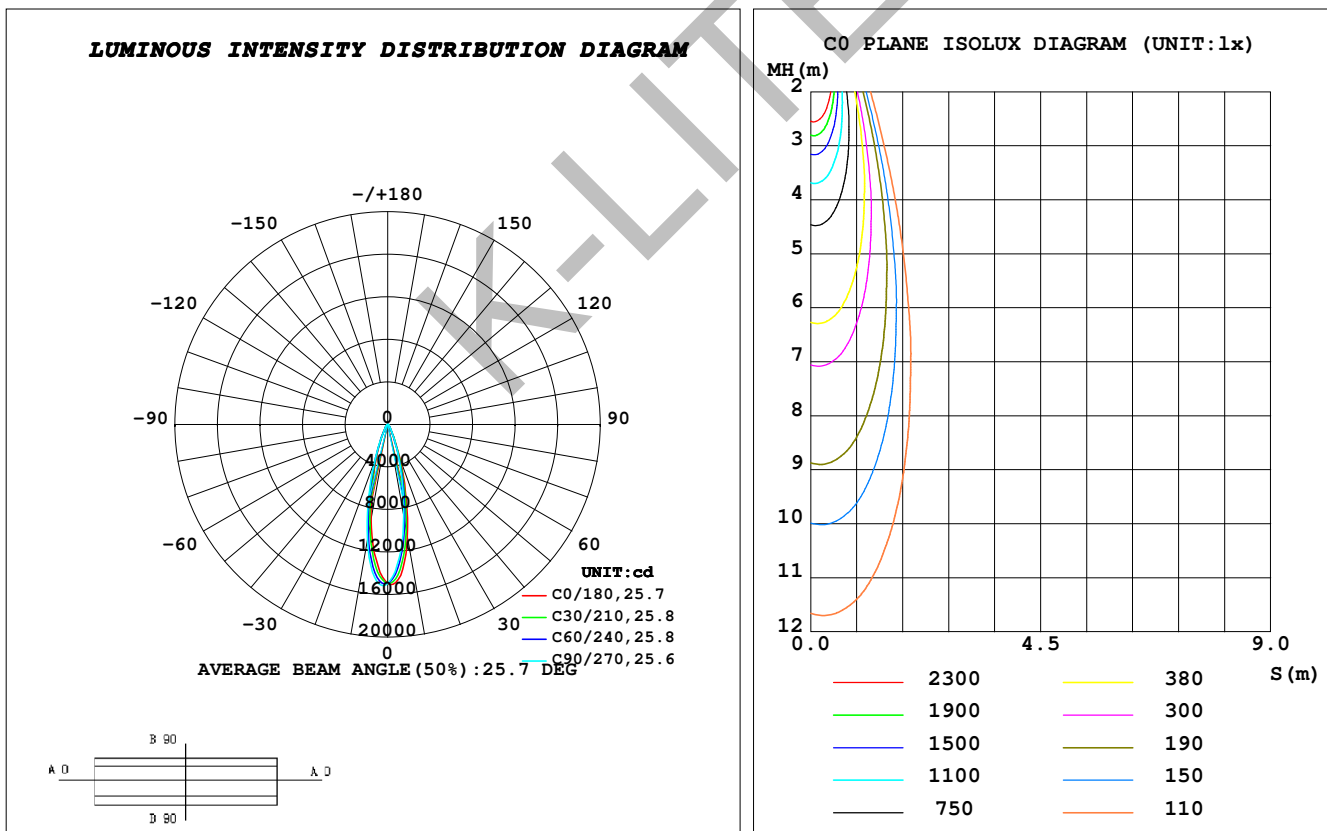


### LUMINAIRE PHOTOMETRIC TEST REPORT

Test:U:230.51V I:0.1817A P:40.781W PF:0.9736 Freq:49.99Hz Lamp Flux:6050x1 lm		
NAME: NAVI	TYPE:FLOOD LIGHTS	WEIGHT:
SPEC.:CW, NICHIA, BA-28°	DIM.: Ø166 x 153 x 423	SERIAL No.:5210
MFR.: K-LITE	SUR.:	Shielding Angle:

DATA OF LAMP		PHOTOMETRIC DATA			
MODEL	KL-6805	Imax (cd)	15239	S/MH (C0/180)	0.41
NOMINAL POWER (W)	45	LOR (%)	70.6	S/MH (C90/270)	0.47
RATED VOLTAGE (V)	230	TOTAL FLUX (lm)	4272.1	η UP, DN (C0-180)	0.0, 33.5
NOMINAL FLUX (lm)	6050	CIE CLASS	DIRECT	η UP, DN (C180-360)	0.0, 37.1
LAMPS INSIDE	1	η up (%)	0.0	CIBSE SHR NOM	0.00
TEST VOLTAGE (V)	230	η down (%)	70.6	CIBSE SHR MAX	1.00



**C Range: 0 - 360DEG**  
**C Interval: 10.0DEG**  
**Test Speed: HIGH**  
**Temperature: 25.3DEG**  
**Operators: K-LITE**  
**Test Date: 30 November 2022**

**γ Range: 0 - 90DEG**  
**γ Interval: 1.0DEG**  
**Test System: EVERFINE GO-R5000\_V2 SYSTEM V2.00.417**  
**Humidity: 65.0%**  
**Test Distance: 1.852m [K=1.0000]**  
**Remarks:**