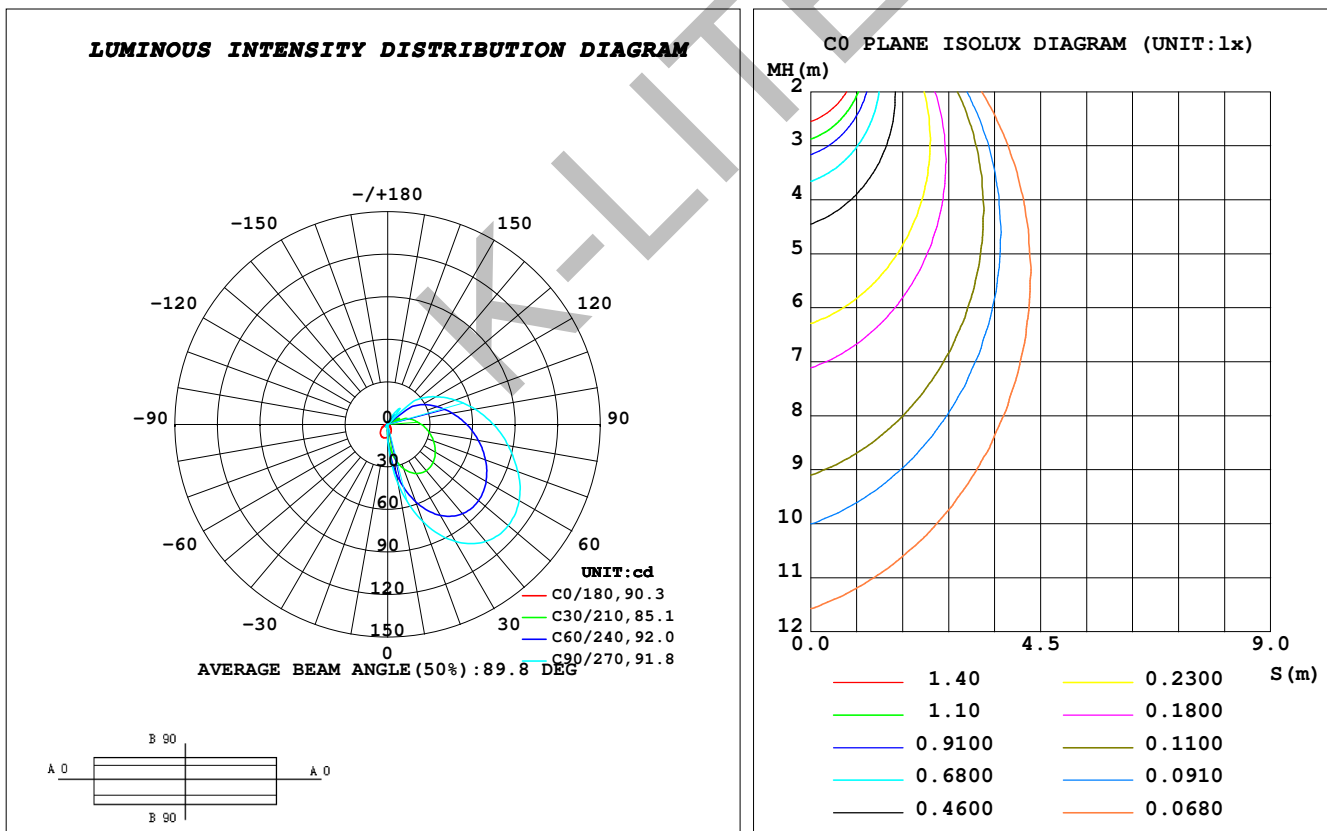


LUMINAIRE PHOTOMETRIC TEST REPORT

Test:U:230.49V I:0.0573A P:12.935W PF:0.9794 Freq:49.99Hz Lamp Flux:1534.5x1 lm		
NAME: FOCUS MIDI - HALF FRAME	TYPE:WALL LUMINAIRES	WEIGHT:
SPEC.:NW, NICHIA	DIM.: Ø271 x 71	SERIAL No.:1630
MFR.: K-LITE	SUR.:	Shielding Angle:

DATA OF LAMP		PHOTOMETRIC DATA			
MODEL	KL-5633	Imax (cd)	111.1	S/MH (C0/180)	1.49
NOMINAL POWER (W)	12	LOR (%)	15.7	S/MH (C90/270)	0.09
RATED VOLTAGE (V)	230	TOTAL FLUX (lm)	240.92	η UP, DN (C0-180)	3.8, 11.6
NOMINAL FLUX (lm)	1534.5	CIE CLASS	SEMI-D.	η UP, DN (C180-360)	0.0, 0.2
LAMPS INSIDE	1	η up (%)	3.9	CIBSE SHR NOM	0.00
TEST VOLTAGE (V)	230	η down (%)	11.8	CIBSE SHR MAX	1.00



C Range: 0 - 360DEG
C Interval: 10.0DEG
Test Speed: HIGH
Temperature: 25.3DEG
Operators: K-LITE
Test Date: 06 August 2020

γ Range: 0 - 180DEG
γ Interval: 1.0DEG
Test System: EVERFINE GO-R5000_V2 SYSTEM V2.00.417
Humidity: 65.0%
Test Distance: 1.836m [K=1.0000]
Remarks: