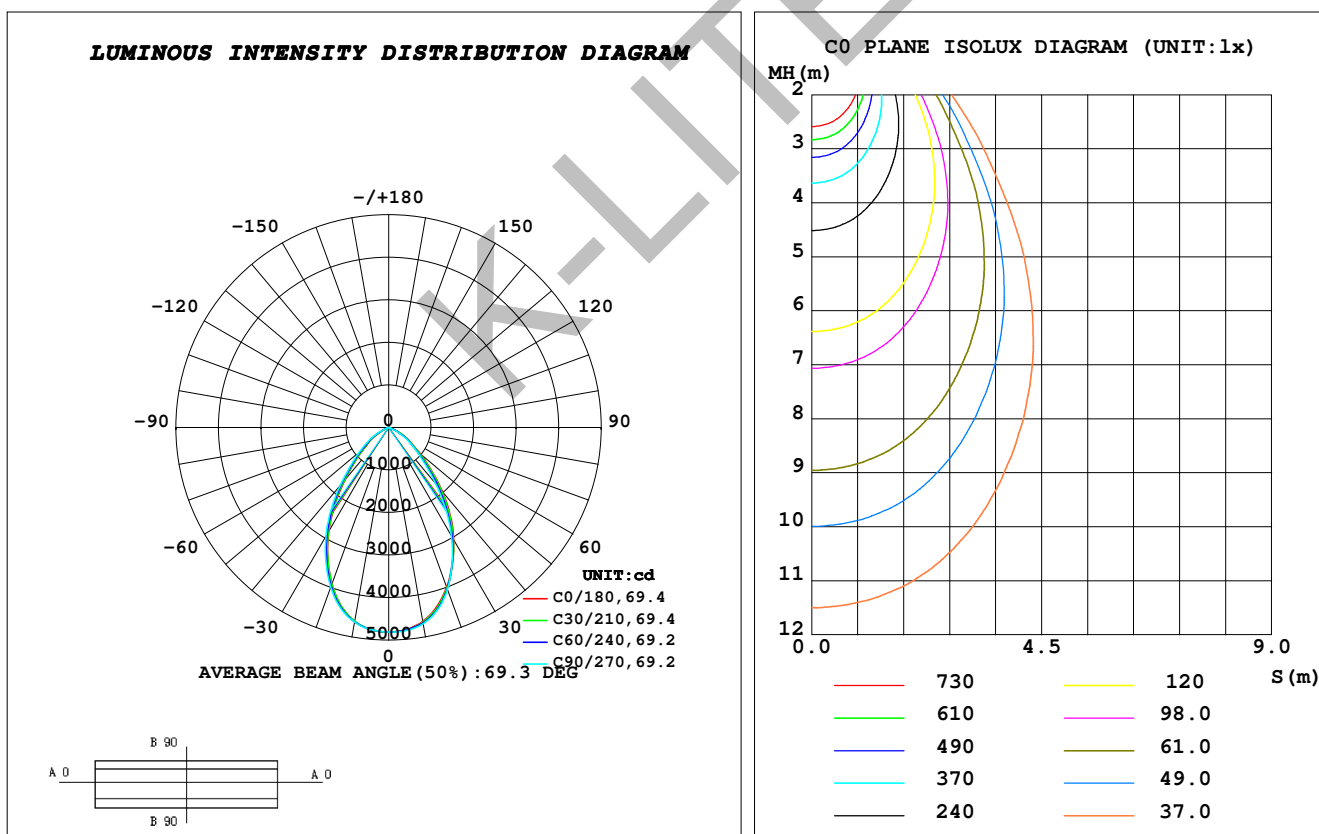


LUMINAIRE PHOTOMETRIC TEST REPORT

Test:U:230.54V I:0.2234A P:50.683W PF:0.9842 Freq:49.98Hz Lamp Flux:7027.5x1 lm		
NAME: ROMINA	TYPE:POLE MOUNTED SYSTEMS	WEIGHT:
SPEC.:NW, LUMILED	DIM.: Ø400 x 616	SERIAL No.:4234
MFR.: K-LITE	SUR.:	Shielding Angle:SYMMETRICAL

DATA OF LAMP		PHOTOMETRIC DATA Eff: 127.90 lm/W			
MODEL	KL-5445	I _{max} (cd)	4815	S/MH (C0/180)	0.97
NOMINAL POWER (W)	50	LOR (%)	92.2	S/MH (C90/270)	1.00
RATED VOLTAGE (V)	230	TOTAL FLUX (lm)	6482.3	η UP, DN (C0-180)	0.0, 46.1
NOMINAL FLUX (lm)	7027.5	CIE CLASS	DIRECT	η UP, DN (C180-360)	0.0, 46.1
LAMPS INSIDE	1	η up (%)	0.0	CIBSE SHR NOM	1.00
TEST VOLTAGE (V)	230	η down (%)	92.2	CIBSE SHR MAX	1.05



C Range: 0 - 360DEG
C Interval: 10.0DEG
Test Speed: HIGH
Temperature: 25.3DEG
Operators: K-LITE
Test Date: 20 February 2022

γ Range: 0 - 90DEG
γ Interval: 1.0DEG
Test System: EVERFINE GO-R5000_V2 SYSTEM V2.00.417
Humidity: 65.0%
Test Distance: 1.825m [K=1.0000]
Remarks: