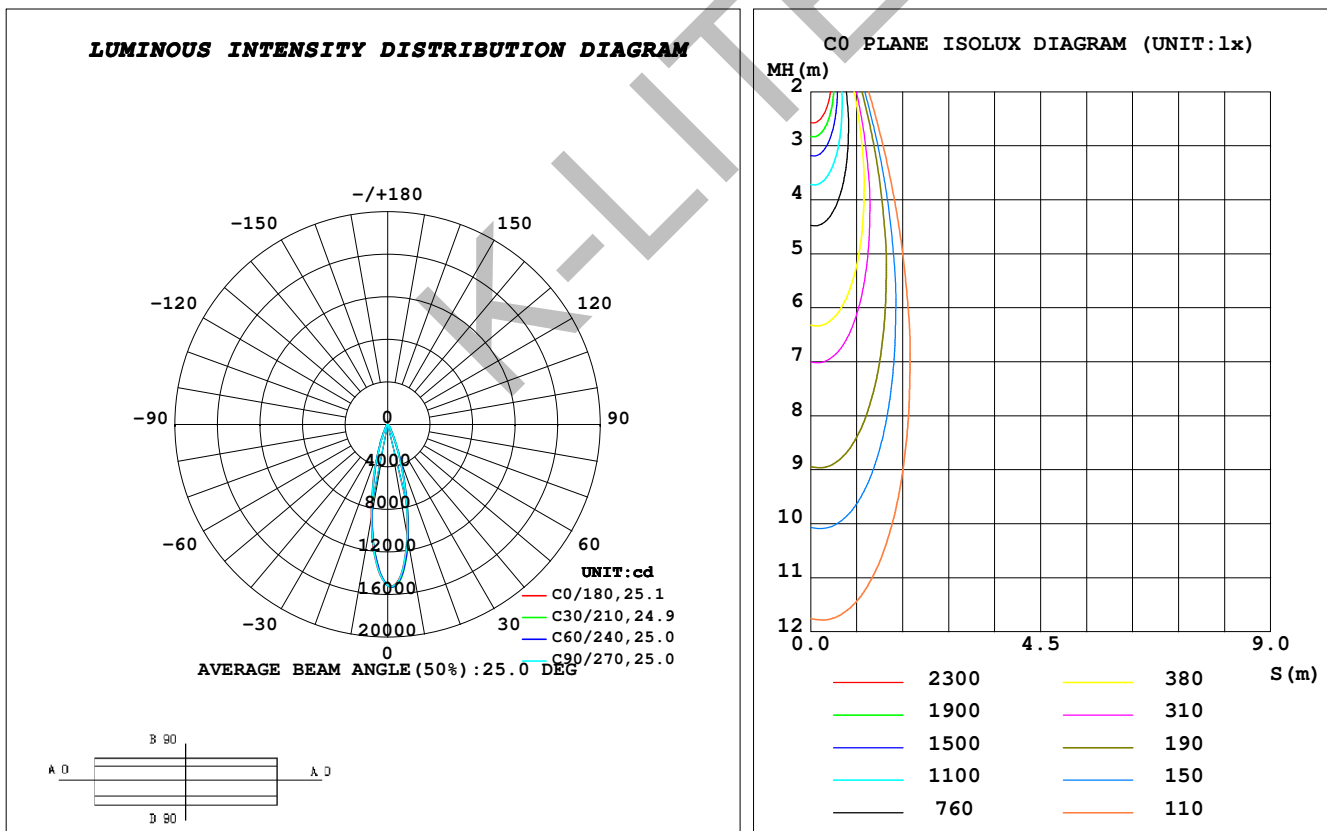


### LUMINAIRE PHOTOMETRIC TEST REPORT

Test:U:230.53V I:0.1796A P:40.284W PF:0.9730 Freq:50.00Hz Lamp Flux:6050x1 lm		
NAME: NAVI	TYPE:FLOOD LIGHTS	WEIGHT:
SPEC.:NW, NICHIA, BA-28°	DIM.: 200 x 150 x 331	SERIAL No.:5218
MFR.: K-LITE	SUR.:	Shielding Angle:

DATA OF LAMP		PHOTOMETRIC DATA			
MODEL	KL-4288	I <sub>max</sub> (cd)	15317	S/MH (C0/180)	0.39
NOMINAL POWER (W)	45	LOR (%)	66.4	S/MH (C90/270)	0.39
RATED VOLTAGE (V)	230	TOTAL FLUX (lm)	4015.3	η UP, DN (C0-180)	0.0, 35.4
NOMINAL FLUX (lm)	6050	CIE CLASS	DIRECT	η UP, DN (C180-360)	0.0, 31.0
LAMPS INSIDE	1	η up (%)	0.0	CIBSE SHR NOM	0.00
TEST VOLTAGE (V)	230	η down (%)	66.4	CIBSE SHR MAX	1.00



**C Range: 0 - 360DEG**  
**C Interval: 10.0DEG**  
**Test Speed: HIGH**  
**Temperature: 25.3DEG**  
**Operators: K-LITE**  
**Test Date: 30 November 2022**

**γ Range: 0 - 90DEG**  
**γ Interval: 1.0DEG**  
**Test System: EVERFINE GO-R5000\_V2 SYSTEM V2.00.417**  
**Humidity: 65.0%**  
**Test Distance: 1.852m [K=1.0000]**  
**Remarks:**