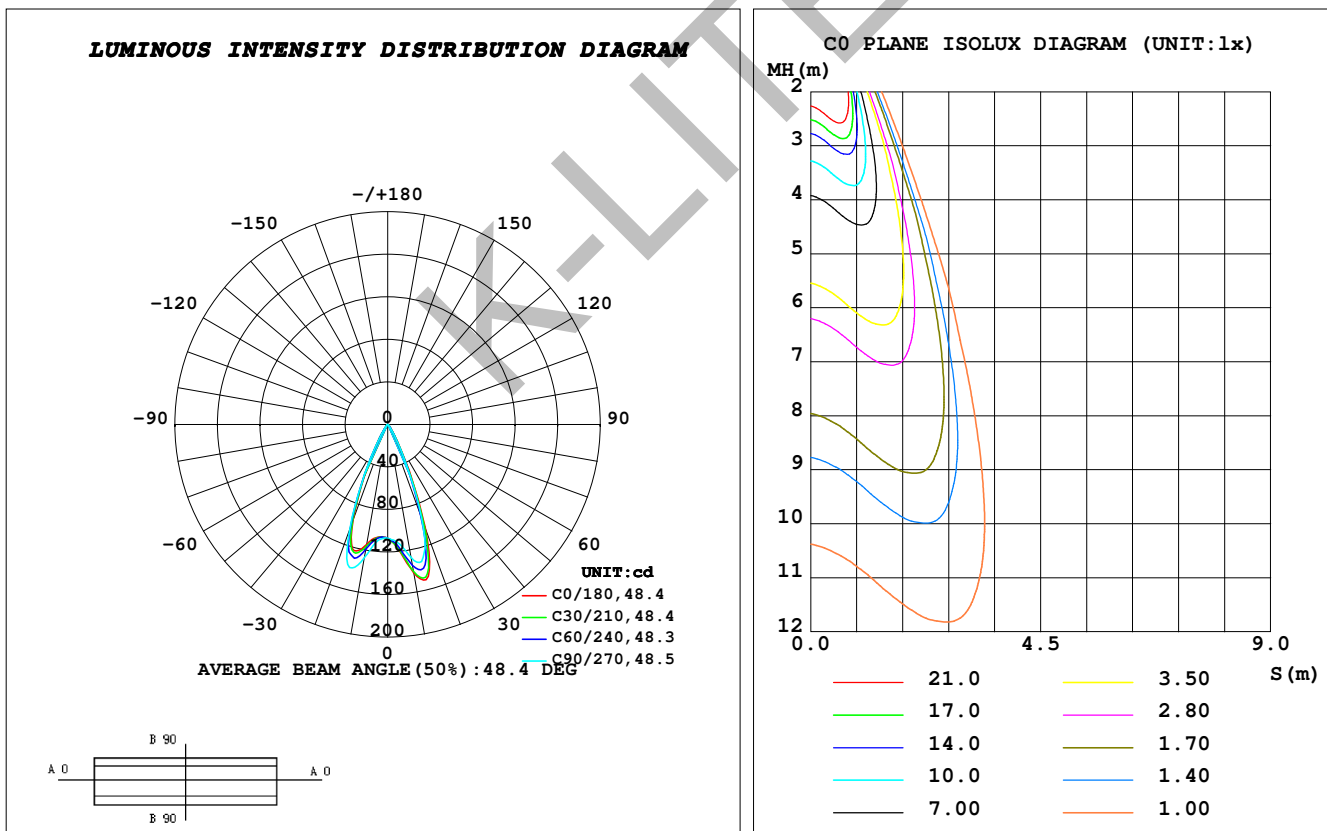


LUMINAIRE PHOTOMETRIC TEST REPORT

Test:U:230.66V I:0.0080A P:1.7432W PF:0.9406 Freq:49.99Hz Lamp Flux:136x1 lm		
NAME: NEBULA NANO	TYPE:LANDSCAPE LUMINAIRES	WEIGHT:
SPEC.:NW, NICHIA, BA-24°	DIM.: Ø42 x 73	SERIAL No.:4839
MFR.: K-LITE	SUR.:	Shielding Angle:

DATA OF LAMP		PHOTOMETRIC DATA			
MODEL	KL-4276	Imax (cd)	150.7	S/MH (C0/180)	0.70
NOMINAL POWER (W)	1	LOR (%)	56.1	S/MH (C90/270)	0.71
RATED VOLTAGE (V)	230	TOTAL FLUX (lm)	76.342	η UP, DN (C0-180)	0.0, 27.4
NOMINAL FLUX (lm)	136	CIE CLASS	DIRECT	η UP, DN (C180-360)	0.0, 28.8
LAMPS INSIDE	1	η up (%)	0.0	CIBSE SHR NOM	0.00
TEST VOLTAGE (V)	230	η down (%)	56.1	CIBSE SHR MAX	1.00



C Range: 0 - 360DEG
C Interval: 10.0DEG
Test Speed: HIGH
Temperature: 25.3DEG
Operators: K-LITE
Test Date: 26 August 2022

γ Range: 0 - 90DEG
γ Interval: 1.0DEG
Test System: EVERFINE GO-R5000_V2 SYSTEM V2.00.417
Humidity: 65.0%
Test Distance: 1.852m [K=1.0000]
Remarks: