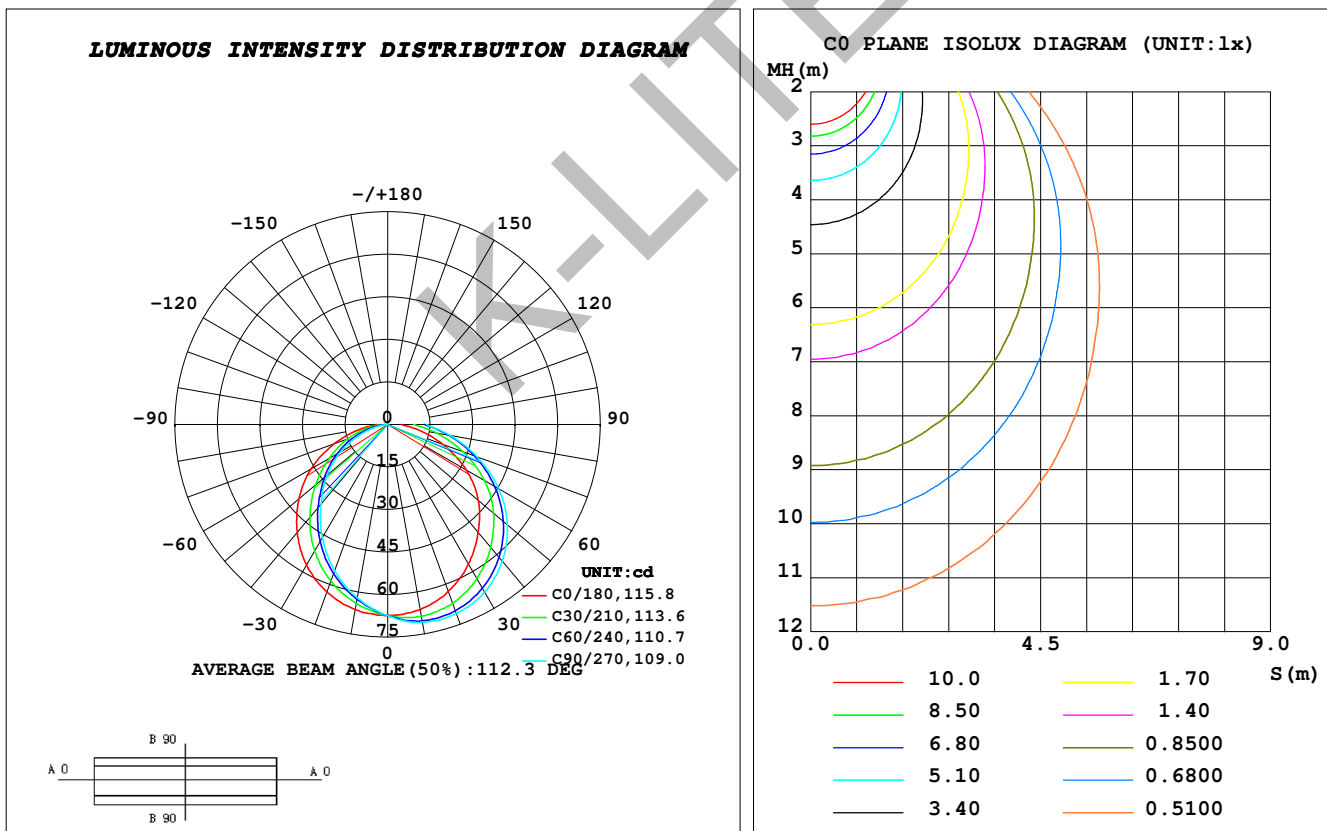


LUMINAIRE PHOTOMETRIC TEST REPORT

Test:U:230.20V I:0.1572A P:12.938W PF:0.3576 Freq:49.98Hz Lamp Flux:1489x1 lm		
NAME: RECTRA HORIZON - HALF FRAME	TYPE:WALL LUMINAIRES	WEIGHT:
SPEC.:WW, NICHIA	DIM.: 280 x 84 x 185	SERIAL No.:1025
MFR.: K-LITE	SUR.:	Shielding Angle:

DATA OF LAMP		PHOTOMETRIC DATA			
MODEL	KL-4049	Imax (cd)	71.34	S/MH (C0/180)	1.26
NOMINAL POWER (W)	12	LOR (%)	14.0	S/MH (C90/270)	1.05
RATED VOLTAGE (V)	230	TOTAL FLUX (lm)	207.87	η UP, DN (C0-180)	0.0, 8.5
NOMINAL FLUX (lm)	1489	CIE CLASS	DIRECT	η UP, DN (C180-360)	0.0, 5.5
LAMPS INSIDE	1	η up (%)	0.0	CIBSE SHR NOM	1.25
TEST VOLTAGE (V)	230	η down (%)	14.0	CIBSE SHR MAX	1.35



C Range: 0 - 360DEG
C Interval: 10.0DEG
Test Speed: HIGH
Temperature: 25.3DEG
Operators: K-LITE
Test Date: 29 January 2020

γ Range: 0 - 90DEG
γ Interval: 1.0DEG
Test System: EVERFINE GO-R5000_V2 SYSTEM V2.00.417
Humidity: 65.0%
Test Distance: 1.825m [K=1.0000]
Remarks: