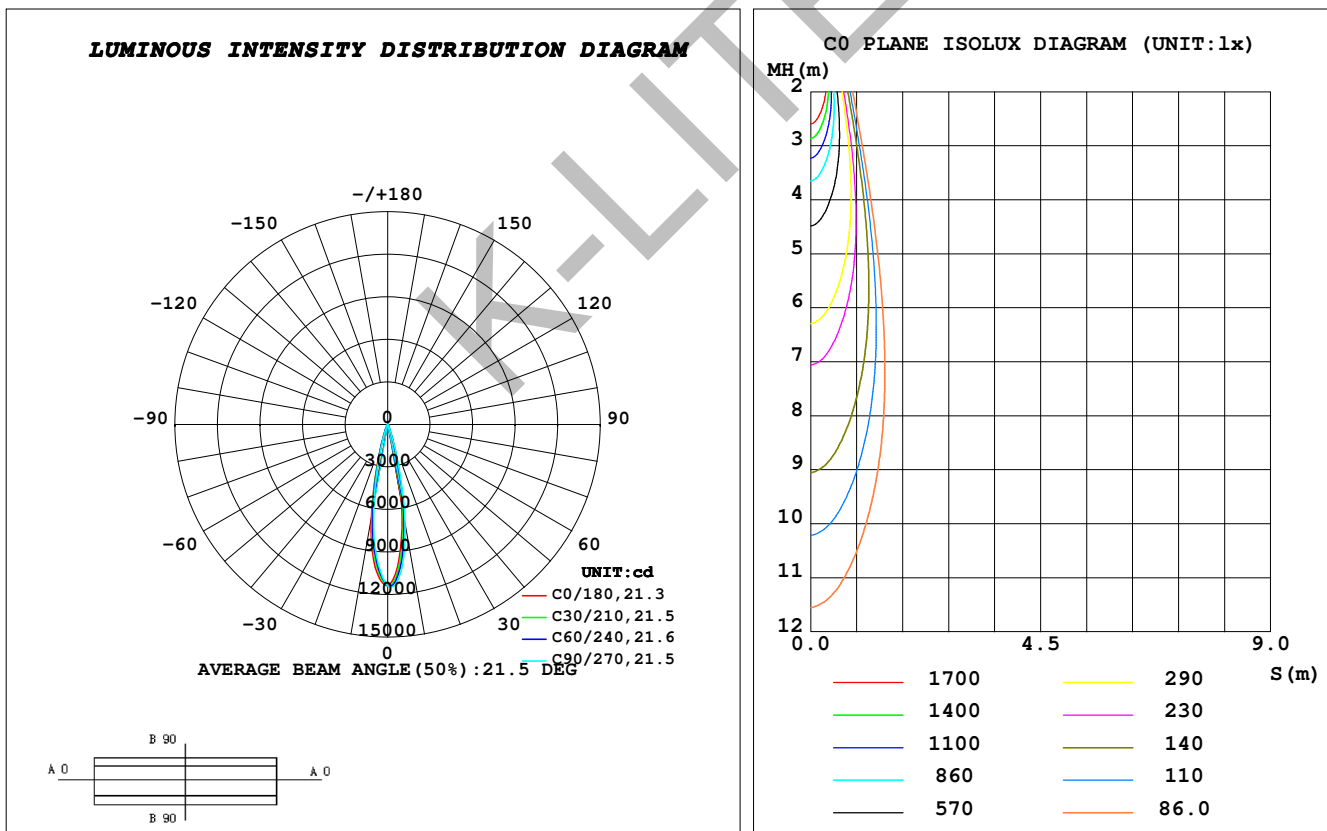


### LUMINAIRE PHOTOMETRIC TEST REPORT

Test:U:230.52V I:0.1057A P:24.269W PF:0.9963 Freq:49.99Hz Lamp Flux:3230x1 lm		
NAME: TWISTER	TYPE:CEILING LUMINAIRES	WEIGHT:
SPEC.:NW, CITIZEN	DIM.: Ø71 x 127	SERIAL No.:4468
MFR.: K-LITE	SUR.:	Shielding Angle:15°

DATA OF LAMP		PHOTOMETRIC DATA			
MODEL	KL-3207	Imax (cd)	11503	S/MH (C0/180)	0.36
NOMINAL POWER (W)	25	LOR (%)	58.4	S/MH (C90/270)	0.34
RATED VOLTAGE (V)	230	TOTAL FLUX (lm)	1886.0	η UP, DN (C0-180)	0.0, 30.6
NOMINAL FLUX (lm)	3230	CIE CLASS	DIRECT	η UP, DN (C180-360)	0.0, 27.7
LAMPS INSIDE	1	η up (%)	0.0	CIBSE SHR NOM	0.00
TEST VOLTAGE (V)	230	η down (%)	58.4	CIBSE SHR MAX	1.00



**C Range: 0 - 360DEG**  
**C Interval: 10.0DEG**  
**Test Speed: HIGH**  
**Temperature: 25.3DEG**  
**Operators: K-LITE**  
**Test Date: 26 April 2022**

**γ Range: 0 - 90DEG**  
**γ Interval: 1.0DEG**  
**Test System: EVERFINE GO-R5000\_V2 SYSTEM V2.00.417**  
**Humidity: 65.0%**  
**Test Distance: 1.825m [K=1.0000]**  
**Remarks:**