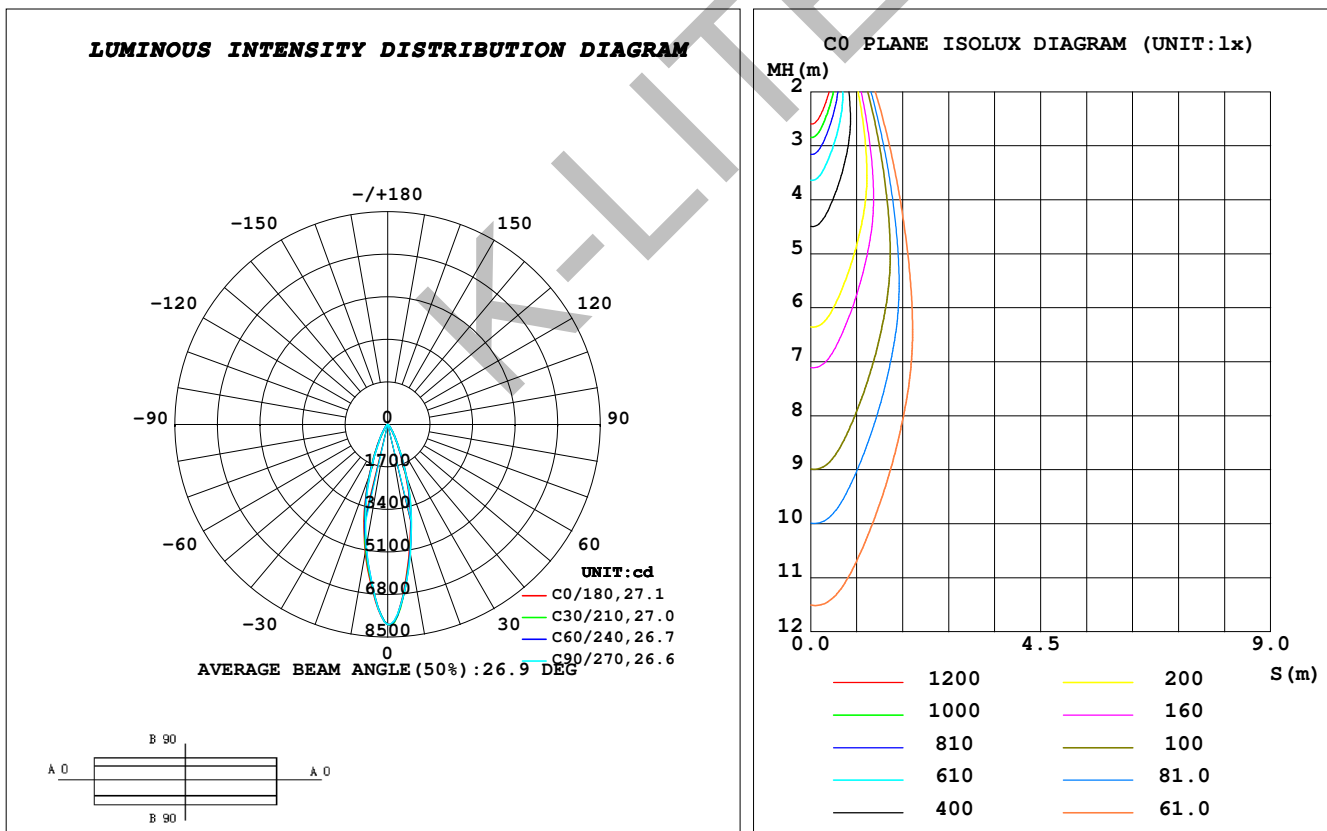


LUMINAIRE PHOTOMETRIC TEST REPORT

Test:U:230.54V I:0.1056A P:24.263W PF:0.9964 Freq:50.00Hz Lamp Flux:3230x1 lm		
NAME: TWISTER	TYPE:CEILING LUMINAIRES	WEIGHT:
SPEC.:CW, CITIZEN	DIM.: Ø71 x 127	SERIAL No.:4469
MFR.: K-LITE	SUR.:	Shielding Angle:15°

DATA OF LAMP		PHOTOMETRIC DATA			
MODEL	KL-3207	Imax (cd)	8019	S/MH (C0/180)	0.45
NOMINAL POWER (W)	25	LOR (%)	73.5	S/MH (C90/270)	0.43
RATED VOLTAGE (V)	230	TOTAL FLUX (lm)	2374.8	η UP, DN (C0-180)	0.0, 37.5
NOMINAL FLUX (lm)	3230	CIE CLASS	DIRECT	η UP, DN (C180-360)	0.0, 36.0
LAMPS INSIDE	1	η up (%)	0.0	CIBSE SHR NOM	0.50
TEST VOLTAGE (V)	230	η down (%)	73.5	CIBSE SHR MAX	0.50



C Range: 0 - 360DEG
C Interval: 10.0DEG
Test Speed: HIGH
Temperature: 25.3DEG
Operators: K-LITE
Test Date: 26 April 2022

γ Range: 0 - 90DEG
γ Interval: 1.0DEG
Test System: EVERFINE GO-R5000_V2 SYSTEM V2.00.417
Humidity: 65.0%
Test Distance: 1.825m [K=1.0000]
Remarks: