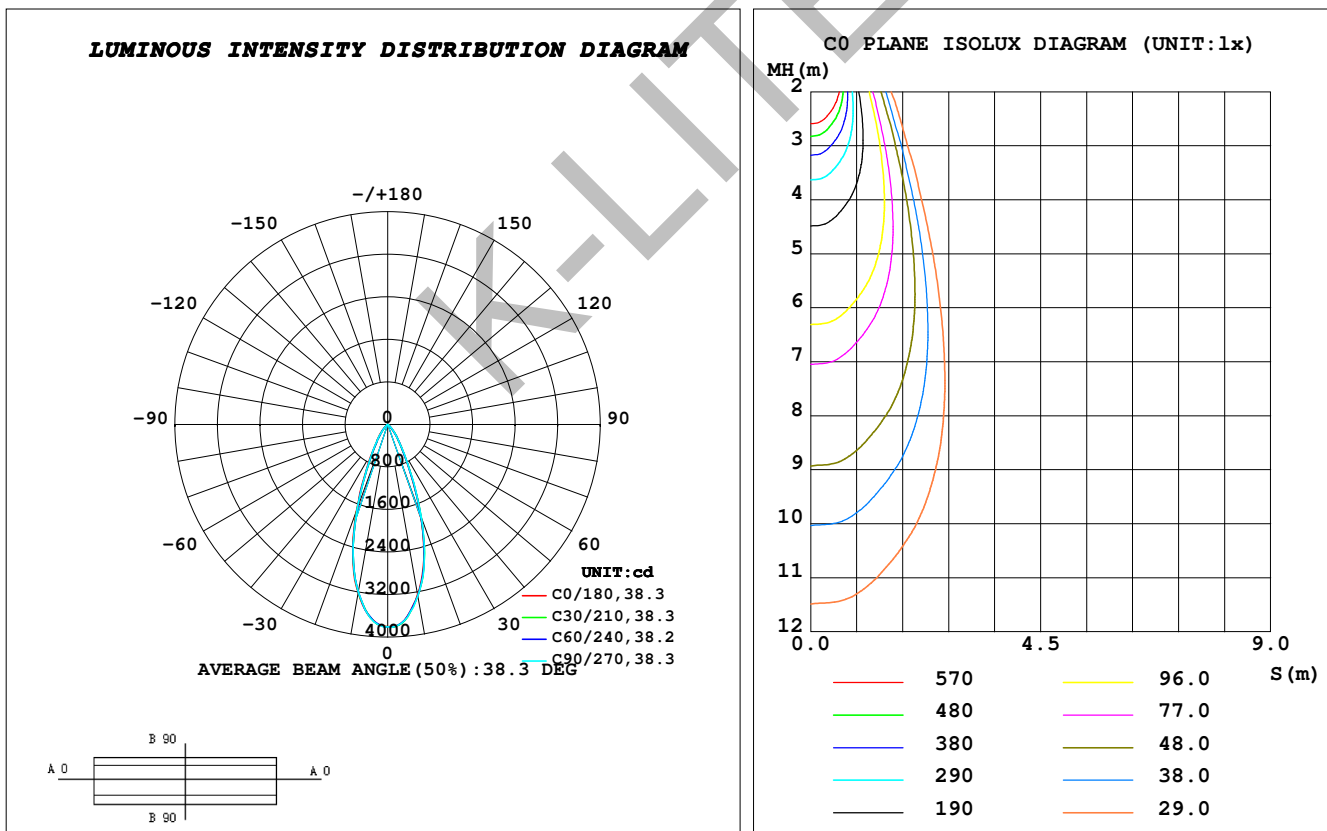


### LUMINAIRE PHOTOMETRIC TEST REPORT

Test:U:230.66V I:0.0779A P:17.595W PF:0.9794 Freq:50.00Hz Lamp Flux:2304x1 lm		
NAME: WALL CYLIN MINI	TYPE:WALL LUMINAIRES	WEIGHT:
SPEC.:NW, CITIZEN, BA-40°	DIM.: 145 x 100 x 150	SERIAL No.:5185
MFR.: K-LITE	SUR.:	Shielding Angle:

DATA OF LAMP		PHOTOMETRIC DATA Eff: 103.81 lm/W			
MODEL	KL-3650	I <sub>max</sub> (cd)	3818	S/MH (C0/180)	0.61
NOMINAL POWER (W)	18	LOR (%)	79.3	S/MH (C90/270)	0.60
RATED VOLTAGE (V)	230	TOTAL FLUX (lm)	1826.6	η UP, DN (C0-180)	0.0, 40.7
NOMINAL FLUX (lm)	2304	CIE CLASS	DIRECT	η UP, DN (C180-360)	0.0, 38.6
LAMPS INSIDE	1	η up (%)	0.0	CIBSE SHR NOM	0.50
TEST VOLTAGE (V)	230	η down (%)	79.3	CIBSE SHR MAX	0.60



**C Range: 0 - 360DEG**  
**C Interval: 10.0DEG**  
**Test Speed: HIGH**  
**Temperature: 25.3DEG**  
**Operators: K-LITE**  
**Test Date: 23 November 2022**

**γ Range: 0 - 90DEG**  
**γ Interval: 1.0DEG**  
**Test System: EVERFINE GO-R5000\_V2 SYSTEM V2.00.417**  
**Humidity: 65.0%**  
**Test Distance: 1.852m [K=1.0000]**  
**Remarks:**