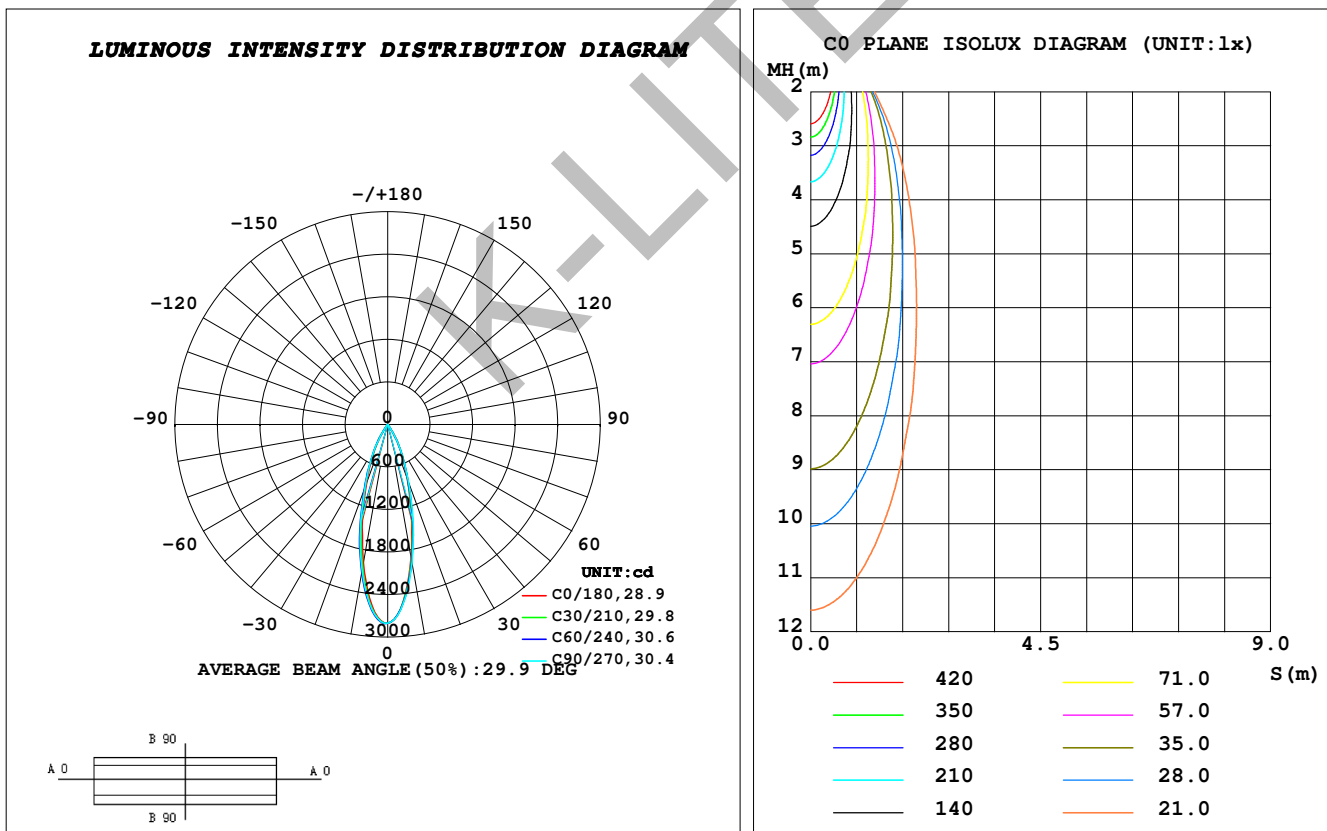


LUMINAIRE PHOTOMETRIC TEST REPORT

Test:U:230.48V I:0.0629A P:11.786W PF:0.9014 Freq:50.00Hz Lamp Flux:1146.6x1 lm		
NAME: ASTRA ROUND	TYPE:CEILING LUMINAIRES	WEIGHT:
SPEC.:WW, BRIDGELUX	DIM.: Ø73 x 100	SERIAL No.:1331
MFR.: K-LITE	SUR.:	Shielding Angle:30°

DATA OF LAMP		PHOTOMETRIC DATA			
MODEL	KL-3683	Imax (cd)	2807	S/MH (C0/180)	0.49
NOMINAL POWER (W)	12	LOR (%)	79.8	S/MH (C90/270)	0.52
RATED VOLTAGE (V)	230	TOTAL FLUX (lm)	914.43	η UP, DN (C0-180)	0.0, 38.6
NOMINAL FLUX (lm)	1146.6	CIE CLASS	DIRECT	η UP, DN (C180-360)	0.0, 41.1
LAMPS INSIDE	1	η up (%)	0.0	CIBSE SHR NOM	0.50
TEST VOLTAGE (V)	230	η down (%)	79.8	CIBSE SHR MAX	0.50



C Range: 0 - 360DEG
C Interval: 10.0DEG
Test Speed: HIGH
Temperature: 25.3DEG
Operators: K-LITE
Test Date: 25 May 2020

γ Range: 0 - 90DEG
γ Interval: 1.0DEG
Test System: EVERFINE GO-R5000_V2 SYSTEM V2.00.417
Humidity: 65.0%
Test Distance: 1.825m [K=1.0000]
Remarks: