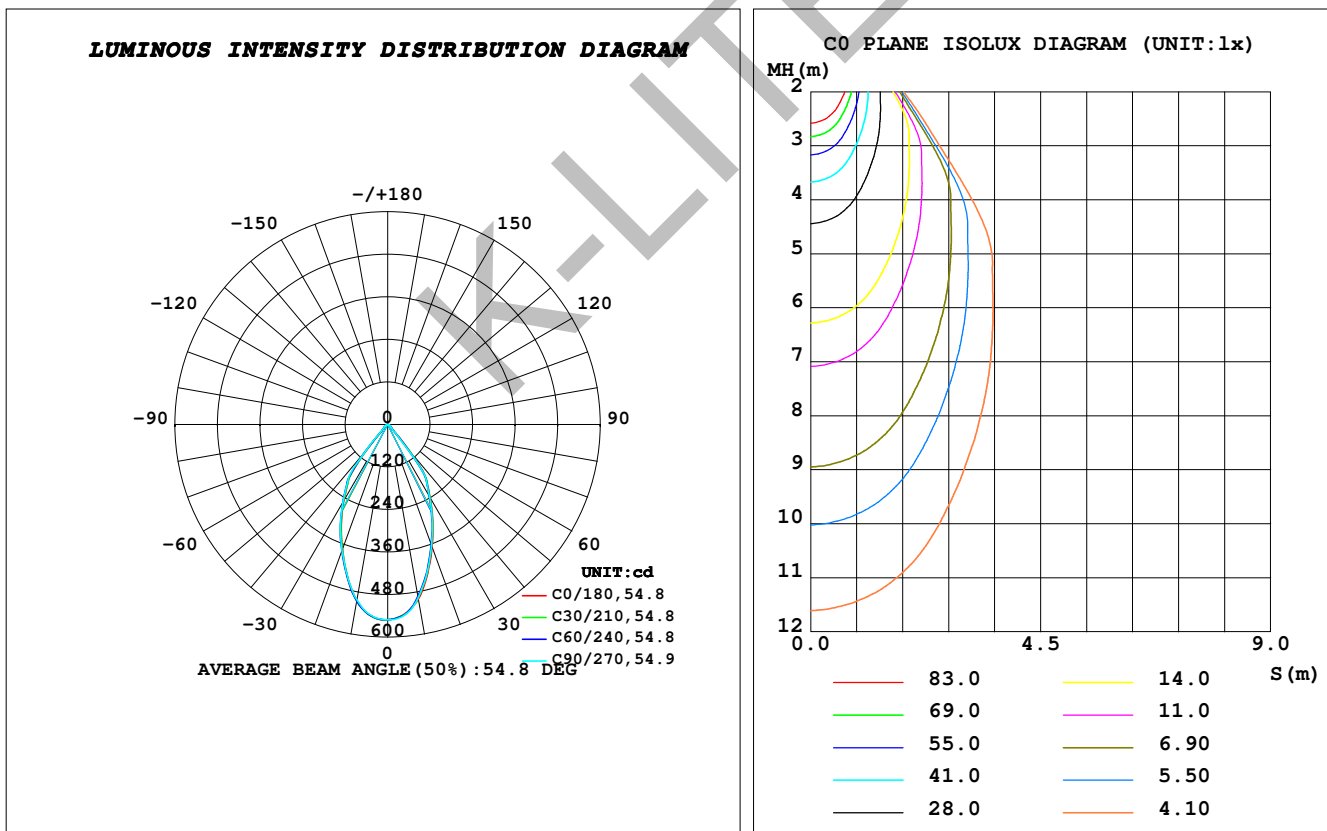


LUMINAIRE PHOTOMETRIC TEST REPORT

Test:U:230.21V I:0.0459A P:5.9069W PF:0.8911 Freq:49.98Hz Lamp Flux:704.48x1 lm		
NAME: ALINA	TYPE: RECESSED CEILING	WEIGHT:
SPEC.: NW, BRIDGELUX	DIM.: Ø65 x 53	SERIAL No.: 1225
MFR.: K-LITE	SUR.:	Shielding Angle: 50°

DATA OF LAMP		PHOTOMETRIC DATA			
MODEL	KL-3285	Imax (cd)	551.7	S/MH (C0/180)	0.82
NOMINAL POWER (W)	7	LOR (%)	65.7	S/MH (C90/270)	0.82
RATED VOLTAGE (V)	230	TOTAL FLUX (lm)	463.04	η UP, DN (C0-180)	0.0, 32.2
NOMINAL FLUX (lm)	704.48	CIE CLASS	DIRECT	η UP, DN (C180-360)	0.0, 33.5
LAMPS INSIDE	1	η up (%)	0.0	CIBSE SHR NOM	0.75
TEST VOLTAGE (V)	230	η down (%)	65.7	CIBSE SHR MAX	0.95



C Range: 0 - 360DEG
 C Interval: 10.0DEG
 Test Speed: HIGH
 Temperature: 25.3DEG
 Operators: K-LITE
 Test Date: 21 March 2020

γ Range: 0 - 90DEG
 γ Interval: 1.0DEG
 Test System: EVERFINE GO-R5000_V2 SYSTEM V2.00.417
 Humidity: 65.0%
 Test Distance: 1.825m [K=1.0000]
 Remarks: