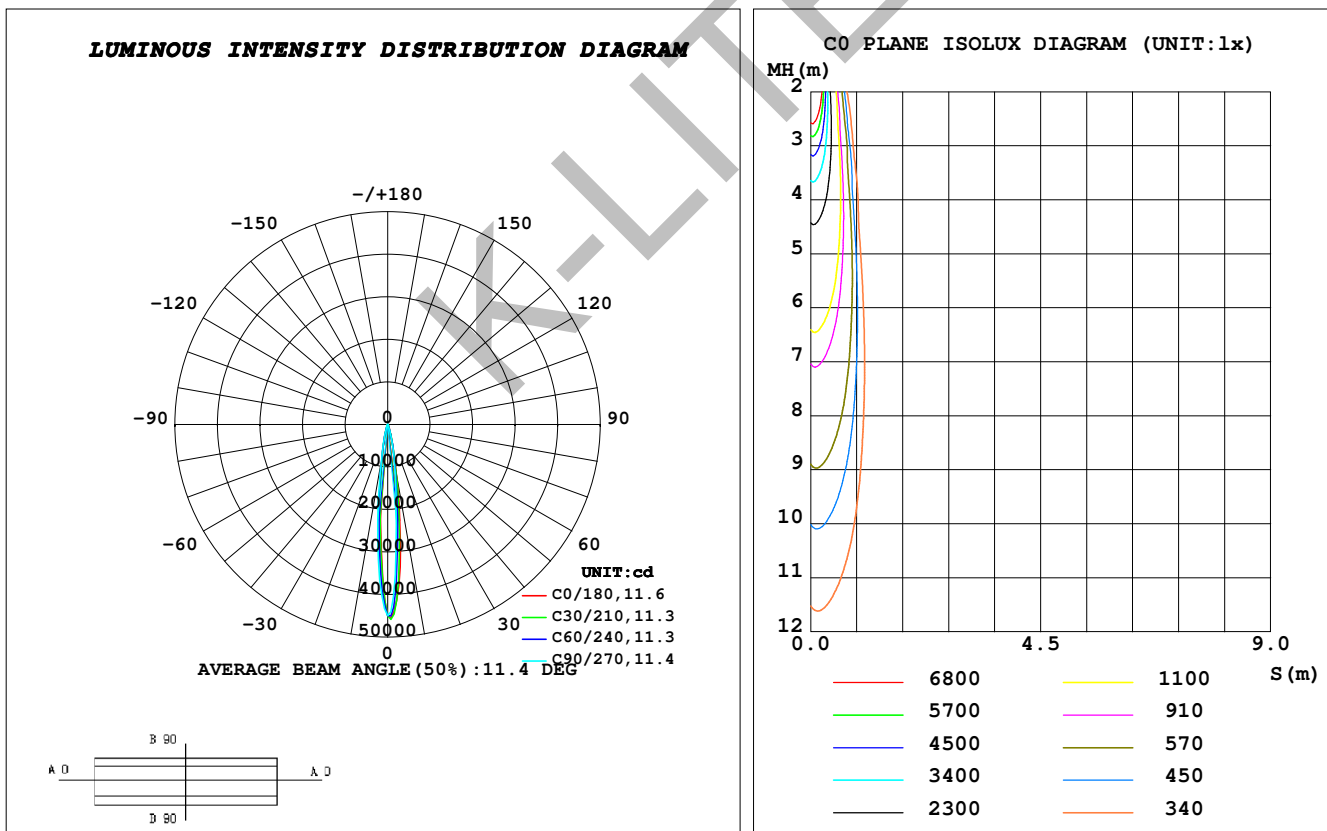


LUMINAIRE PHOTOMETRIC TEST REPORT

Test:U:230.60V I:0.1787A P:40.071W PF:0.9726 Freq:49.99Hz Lamp Flux:5671x1 lm		
NAME: NAVI	TYPE:FLOOD LIGHTS	WEIGHT:
SPEC.:WW, NICHIA, BA-10°	DIM.: Ø166 x 153 x 423	SERIAL No.:5213
MFR.: K-LITE	SUR.:	Shielding Angle:

DATA OF LAMP		PHOTOMETRIC DATA				Eff: 93.20 lm/W
MODEL	KL-6805	I _{max} (cd)	45871	S/MH (C0/180)	0.15	
NOMINAL POWER (W)	45	LOR (%)	65.9	S/MH (C90/270)	0.21	
RATED VOLTAGE (V)	230	TOTAL FLUX (lm)	3734.7	η UP, DN (C0-180)	0.0, 32.9	
NOMINAL FLUX (lm)	5671	CIE CLASS	DIRECT	η UP, DN (C180-360)	0.0, 33.0	
LAMPS INSIDE	1	η up (%)	0.0	CIBSE SHR NOM	0.00	
TEST VOLTAGE (V)	230	η down (%)	65.9	CIBSE SHR MAX	1.00	



C Range: 0 - 360DEG
C Interval: 10.0DEG
Test Speed: HIGH
Temperature: 25.3DEG
Operators: K-LITE
Test Date: 30 November 2022

γ Range: 0 - 90DEG
γ Interval: 1.0DEG
Test System: EVERFINE GO-R5000_V2 SYSTEM V2.00.417
Humidity: 65.0%
Test Distance: 1.852m [K=1.0000]
Remarks: