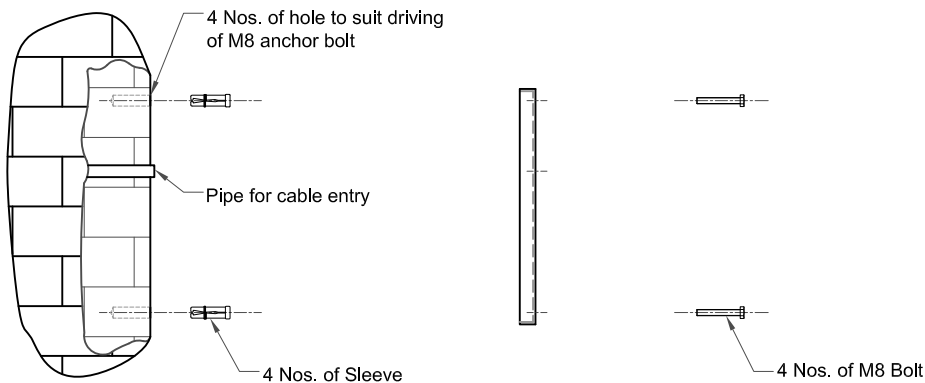
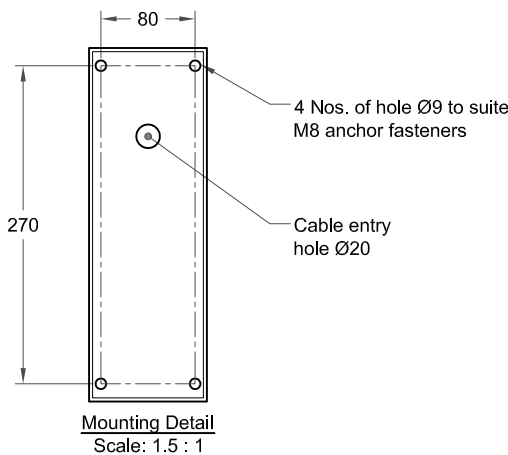


DWG. No. : KP-DMD-012
SHEET No. : 1 of 1

ALL DIMENSIONS ARE IN mm



NOTE :

1. Pipe for cable entry shown is only for indicative.
2. Sleeve and anchor fasteners are not included in the scope of supply.

REV. No.	REVISION DETAILS	DATE	REVISED	CHD	APPD

DRAWN R.SATHISH	CHECKED	APPROVED	DATE 18-01-2021	SCALE 1 : 10	MATERIAL -	\\kfs\CADD SERVER\KP\010.DETAILED MOUNTING DRAWING\KP - DMD - 012
--------------------	---------	----------	--------------------	-----------------	---------------	---

<p>K-LITE INDUSTRIES CHENNAI-600 058</p>	<p>DETAILED MOUNTING DRAWING FOR KP - W12 WALL BRACKET</p>			DRG. NO.	REV	SHEET
	<p>KP-DMD-012</p>			00	1 of 1	