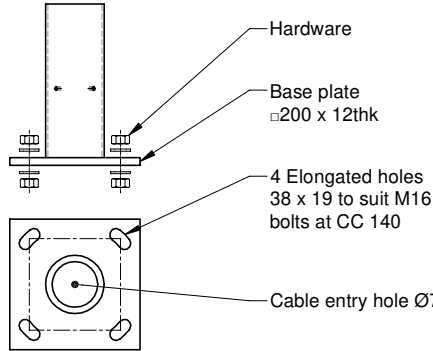


DWG. No. : KP-DFD-100
SHEET No. : 1 of 1

ALL DIMENSIONS ARE IN mm

F

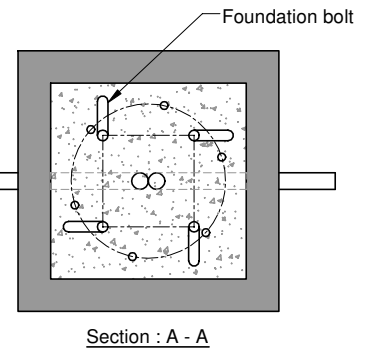
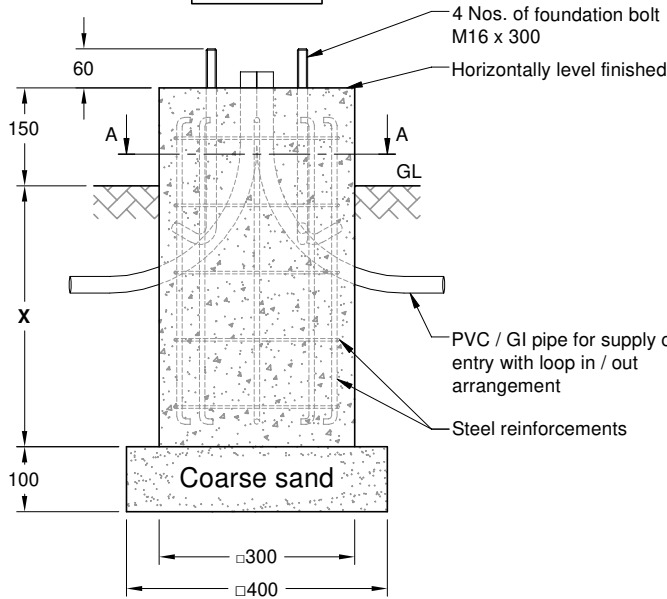
F



FOUNDATION TYPE	POLE HEIGHT	DIMENSION "X"
A	6'	250
B	8' - 10'	500
C	12' - 14'	600

E

E



D

D

Note :

- Typical foundation drawing suitable for standard soil condition.
- Parameters considered in RCC foundation design :
 Load bearing capacity of soil (LBC) : 10 Mt/m² (Minimum)
 Basic wind speed : 50 m/s
 Grade of steel reinforcement : Fe 415
 Grade of foundation bolt : 4.6
- Height of foundation above ground level (150mm) may be revised to suit the site conditions especially considering the expected water level stagnation.
- Template supplied is suggested to be used for locating the CC of foundation bolts.
- 4 Nos. of foundation bolt have to be oriented (located), while casting the foundation such that the door of the electrical junction box faces the required direction.
- PVC / GI pipe for entry of supply cable and the materials required for foundation are not scope of our supply.

C

C

B

B

REV. No.	REVISION DETAILS	DATE	REVISED	CHD	APPD

DRAWN BASKAR	CHECKED	APPROVED	DATE 05-07-18	SCALE 1 : 12	MATERIAL -	Z:\KP005.FOUNDATION DETAILS\KP - DFD - 100 (KP-63)\REV 00.dwg
						DETAILED FOUNDATION DRAWING KP - 63 200 x 12 (FOUNDATION BOLT M16 x 300)
			DRG. NO. KP-DFD-100	REV 00	SHEET 1 of 1	

A

A