

Poorani - Landscape Luminaires

Installation, Use and Maintenance Guidelines (Indicative for all luminaires in this series)



Application

Landscape luminaires with connecting cable and earth spike for portable installation / bracket for permanent installations on a wall, under a ceiling or on a pillar. Ideal for the illumination of plants, building details and many other lighting tasks in interior and exterior lighting applications.



Note : Technical amendments reserved

Light Source : LED / CFL. Varied wattage Options

Normal rated voltage for luminaire is 220-240V, 50Hz, single phase ac supply.

Installation Recommendation

- This product is suitable for Indoor & Outdoor application.
- Electronic equipment is sensitive to voltage surges. Hence it is recommended to install a stabilizer at source to ensure constant voltage power supply to all outdoor luminaires, for better performance and life span of the luminaire and to avoid risk of damage.
- Installation and maintenance of the luminaire should be carried out by qualified person only in accordance with good electrical practice and appropriate accessories.
- Minimum distance from the surface to be lit (0.5m) for better result.
- Use flexible cable of suitable rating and diameter with the right IP rated connectors.
- The IP rating of the connector must be equal to or greater than the IP rating of the Luminaire.
- It is very important to follow these instructions to enable the luminaire to be installed correctly. Failure to follow this will void all warranty on the product.
- Please retain installation guidelines for future reference.

Important Note:

We recommend to drain the mounting area to ensure no water logging at all times, also considering durations of heavy downpour.

Technical Specifications

- Luminaire housing made of spun aluminium.
- Clear tempered safety glass
- EPDM gasket
- Swivel range of the luminaire in the horizontal axis +90°/-20°
- Earth connection
- Safety class I
- Protection class IP 54 / 65

- CE - Conformity mark
- Finished with pure polyester powder coated colour - black.

Light distribution

Luminaire photometric data / IES files for the light planning program DIALux can be downloaded in IES-format on the KLITE web page www.klite.in.

Safety

- For Safety, always ensure power supply is disconnected before regular maintenance, lamp replacement and accessory fitting.
- Installation and operation of this luminaire are subject to national safety regulations. The manufacturer is discharged from liability when damage is caused by improper use or installation.
- Any modification to this fixture without authorization will void all warranty and the persons responsible for the modification shall be considered as manufacturer.
- Do not subject the product for voltage or current which is not rated for.
- Do not use lamps with higher wattage than indicated.
- Luminaire not suitable for direct mounting on normally flammable surfaces

Installation

The luminaire must be operated with the complete protective cover.

- Open the luminaire and insert lamp.
- Put glass with gasket onto the luminaire housing.
- It is absolutely essential to use the enclosure gasket. Make sure that gasket is in correct position (Refer "TOP" text in the gasket) else the IP rating of the luminaire will be compromised. Screw the glass tightly towards the gasket into the luminaire base.
- Push luminaire with earthspike vertically into the soil until stability is achieved. If necessary compact soil around the earth spike or fix the mounting bracket with suitable fixing screws onto the mounting surface.
- The location of installation may be revised to suit the site conditions especially considering the expected water level stagnation.
- Use only flexible supply cables of suitable rating and diameter with right IP rated connectors. Do not use hard cables or armoured cables (Hard cable could effect the IP rating of the product)
- Loosen joint screw and adjust the slope angle of the light. Tighten joint screw when desired angle is achieved.
- Please ensure that the wires are connected to the right polarity [Phase, Neutral & Earth] and the luminaire must be earthed (Class I).

Cleaning and care

- After installation, the luminaire should first be cleaned.
- Building dust, residues from pressure-sensitive adhesives, paint splatter and rust film must be completely removed. Never use cleaning implements made of normal steel, steel brushes or steel wool because they cause extraneous rust to form.
- Cleaning agents containing hydrochloric acid and chlorides should never be used.
- We recommend cleaning the luminaires regularly.
- Do not use high pressure cleaners

Maintenance Recommendations

A scheduled maintenance program must be carried out on the Installation and fixtures regardless of the IP rating or application

- Disconnect the electrical installation before maintenance operation
- Open the luminaire. Remove the lamp.
- Check the gasket, diffuser, seals are in good condition and replace, if necessary.
- Check that the screws are not loose on various components and that the cable gland is securely tight
- Ensure the luminaire is properly closed and clamped back into position after regular maintenance of lamp / control gear in order to maintain the IP rating of the fixture.

Storage

If site is not ready for installation, store the material in proper warehouse facilities. K-Lite is not responsible for the damages caused due to the mishandling of material at site.

Important Note

To ensure proper installation, kindly translate / communicate the installation instructions to the local qualified electrician in their respective local language.

Please Recycle

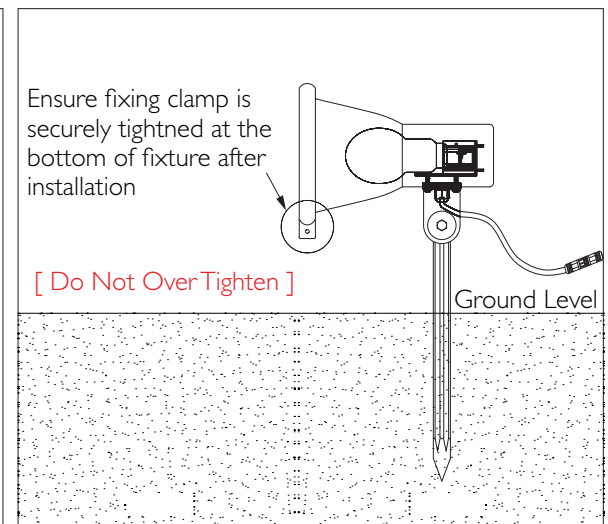
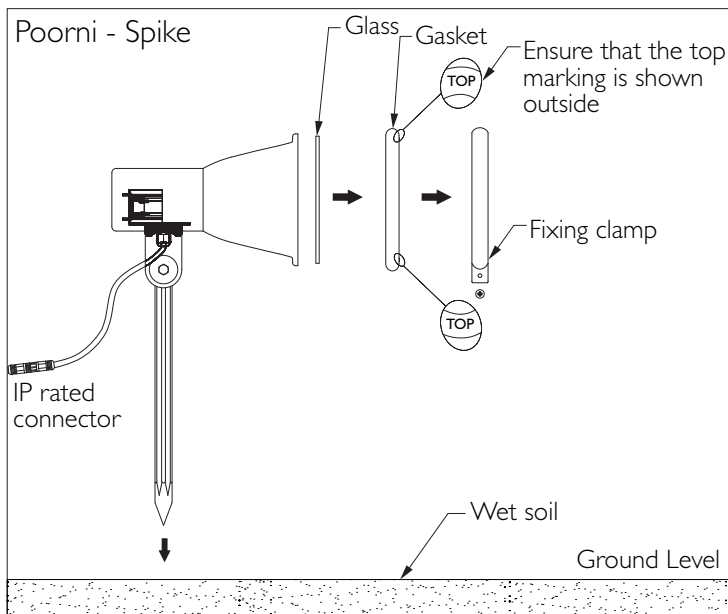
The electronic components of this product should not be disposed via the normal waste system. To prevent possible harm to the environment and Human health please ensure that the product is recycled in an environmentally sound manner. Please contact your local collection facilities for more details.

Customer Service

If Klite agrees to receive back some fixtures for Lab Testing and further analysis please ensure that the fixtures shipped should NOT BE DISASSEMBLED. Disconnect the power line and ship the product as is unless otherwise specified.

Please contact customercare@klite.in for more information.

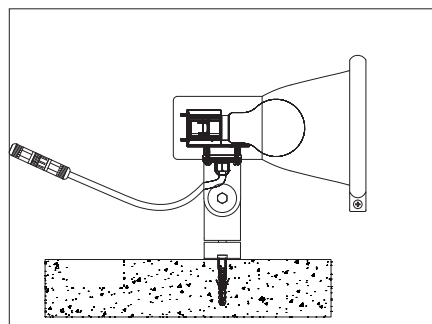
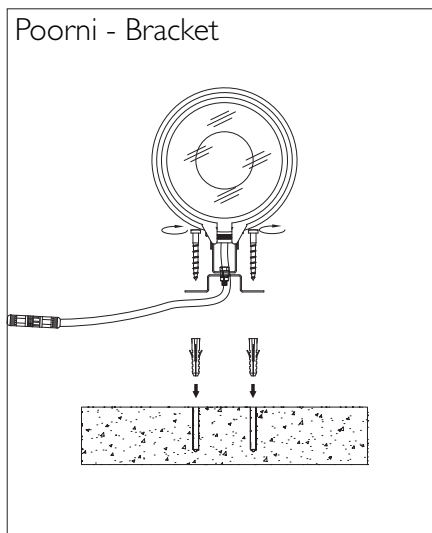
Installation



Please ensure that the wires are connected to the right polarity [Phase, Neutral & Earth] and the luminaire must be earthed (Class I)

- We recommend to drain the mounting area to ensure no water logging at all times, also considering durations of heavy downpour.
- Spike should be 90-100 mm above the ground level & no water should accumulate beyond this point.

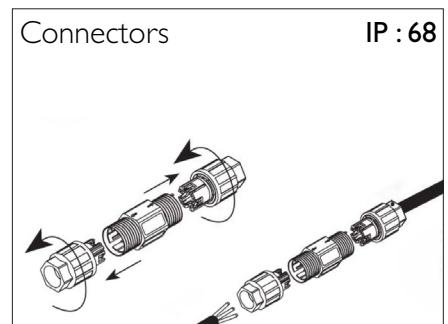
Poorni - Bracket




- We recommend to drain the mounting area to ensure no water logging at all times, also considering durations of heavy downpour.
- No water should accumulate beyond the bracket base.

Connectors

IP : 68

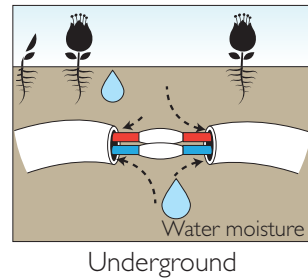
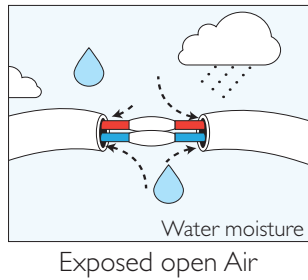


 The IP rating of the connector must be equal to or greater than the IP rating of the Luminaire.

How to Install your outdoor luminaire correctly with connectors



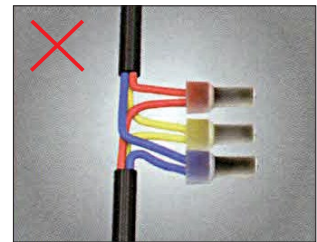
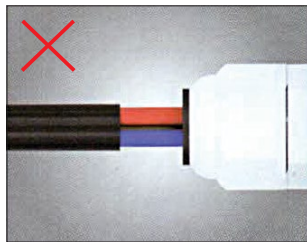
Water infiltration is one of the biggest reasons of damage to outdoors fixtures. The main reason being no proper water proof connectors being used during installation.



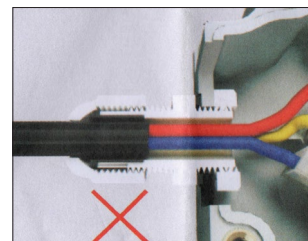
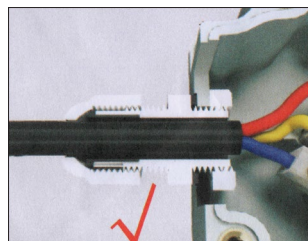
Why use the water - proof connector ?

When the fixture is turned on, the inside temperature will increase as the operating time goes. Conversely when the lamp stops working, the temperature will drop slowly. This phenomenon will cause "The siphon effect". Thermal expansion and contraction makes the inside and outside air pressure different. The air which includes water vapour will infiltrate to the housing through the wire entry as soon as the internal air pressure is lesser than the external pressure. The infiltration is caused by several incorrect connections like the picture below. This water vapour will then become droplets of water that will be seen inside the fixture.

Incorrect Installation

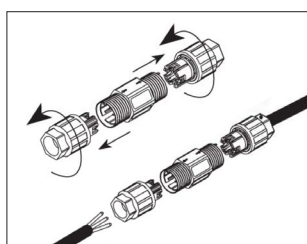


When the wire is connected into the fixture through cable gland, the cable must be more than 10mm inside. Please refer to the images below.



The best and easiest ways to prevent the water filtration are by IP rated connectors

We recommend using the water-proof connectors as shown below for all outdoor fixtures. Installers should prepare the appropriate main cables of suitable rating and diameter with the right IP rated connectors.



One input & two output

